

**COMPONENTE FEMORAL SEM BLOQUEIO**  
*Cruciate Retaining Femoral Component*

REF.	LADO / Side	TAMANHO / Size
346/01	DIREITO / Right	C
/02	ESQUERDO / Left	C
347/01	DIREITO / Right	D
/02	ESQUERDO / Left	D
348/01	DIREITO / Right	E
/02	ESQUERDO / Left	E
365/01	DIREITO / Right	F
/02	ESQUERDO / Left	F

**COMPONENTE FEMORAL COM BLOQUEIO**  
*Posterior Stabilized Femoral Component*

REF.	LADO / Side	TAMANHO / Size
350/01	DIREITO / Right	C
/02	ESQUERDO / Left	C
351/01	DIREITO / Right	D
/02	ESQUERDO / Left	D
352/01	DIREITO / Right	E
/02	ESQUERDO / Left	E
366/01	DIREITO / Right	F
/02	ESQUERDO / Left	F

**COMPONENTE TIBIAL**  
*Tibial Component*

REF.	TAMANHO / Size
353/02	3
/03	4
/04	5
/05	6
<b>PATELA</b> <i>Patella</i>	
REF.	mm
364/01	29
/02	32
/03	35
/04	38

**PLATÔ TIBIAL SEM BLOQUEIO**  
*Tibial Plateau Without Post*

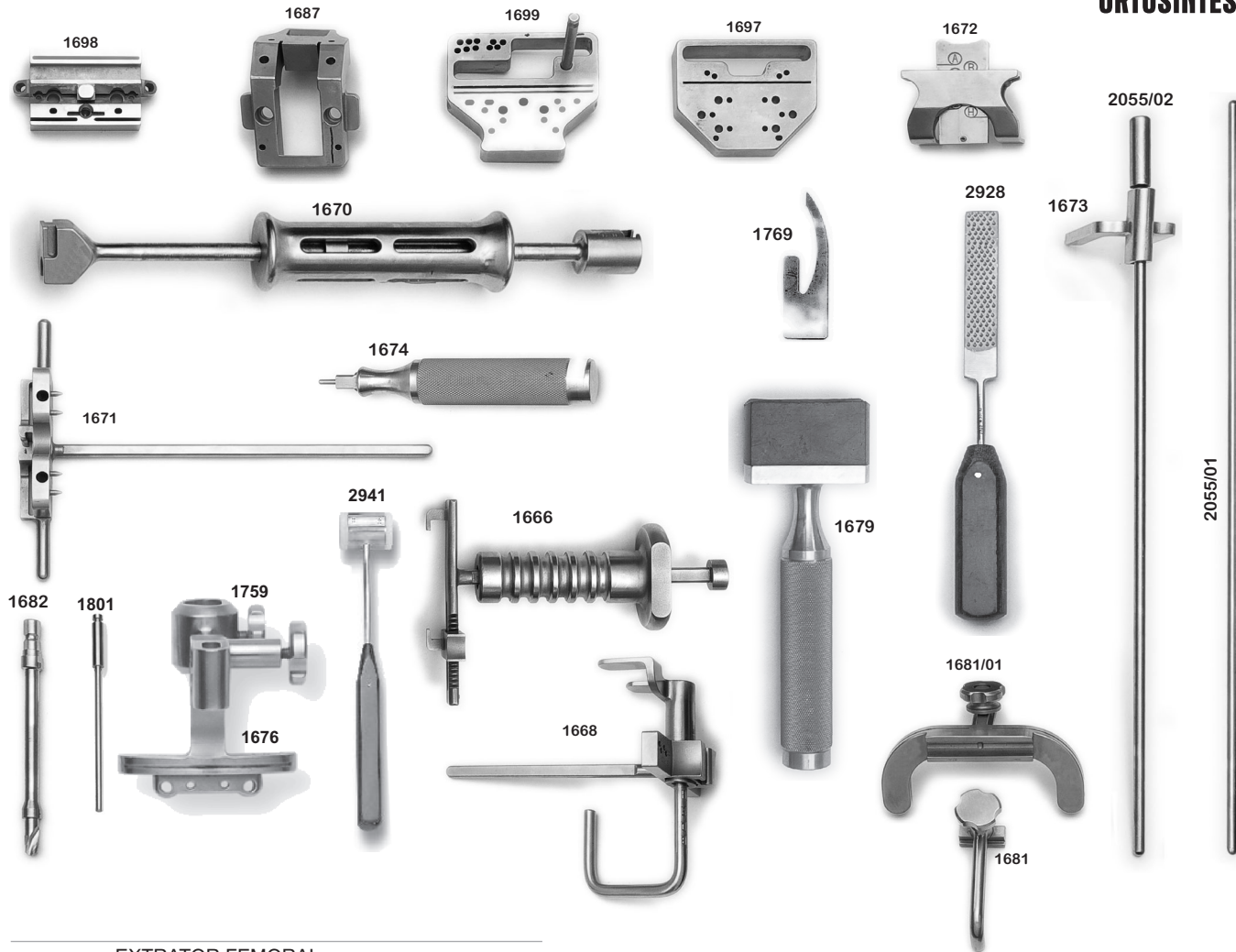
3/4		5/6		mm
REF.	REF.	REF.	REF.	
355/02	356/02			10
/03	/03			12
/04	/04			14
/05	/05			17

**PLATÔ TIBIAL COM BLOQUEIO**  
*Tibial Plateau With Post*

3/4		5/6		mm
REF.	REF.	REF.	REF.	
359/02	362/02			10
/03	/03			12
/04	/04			14
/05	/05			17

# INSTRUMENTAL DE JOELHO NKS PLUS

## NKS Plus Knee Instruments



1666	EXTRATOR FEMORAL <i>Femoral extractor</i>
1668	GUIA MEDIDOR FEMORAL <i>Femoral gauge guide</i>
1670	EXTRATOR INTRAMEDULAR <i>Intramedular extractor</i>
1672	MEDIDOR FEMORAL <i>Femoral gauge guide</i>
1673	GUIA DE ALINHAMENTO EXTRAMEDULAR <i>Extramedular alignment guide</i>
1674	IMPACTOR <i>Impactor</i>
1676	GUIA DE CORTE TIBIAL <i>Tibial Cutting Guide</i>
1679	IMPACTOR FEMORAL <i>Femoral Impactor</i>
1681	GUIA DE CORTE FEMORAL <i>Femoral cutting guide</i>
1682	BROCA FEMORAL <i>Femoral Drill</i>
1697	GUIA DE CORTE FEMORAL DISTAL <i>Distal femoral cutting guide</i>
1699	GUIA DE CORTE FEMORAL DISTAL <i>Distal femoral cutting guide</i>
1759	GUIA DE ALINHAMENTO <i>Alignment Guide</i>
1769	GUIA ORIENTADOR DO CORTE <i>Cutting orienting guide</i>

1801	GUIA DA HASTE TIBIAL <i>Rod Tibial Guide</i>
2055/01	GUIA ALINHADOR FEMORAL <i>Femoral alignment guide</i>
2055/02	GUIA ALINHADOR FEMORAL PROLONGADOR <i>Femoral alignment guide extension</i>
2928	RASPA ÓSSEA <i>Bone Reamer</i>
2941	MARTELO DE POLIETILENO <i>Polyethylene Mallet</i>

### GUIA DE CORTE DE INTERCÔNDILO *Intercondilus cutting guide*

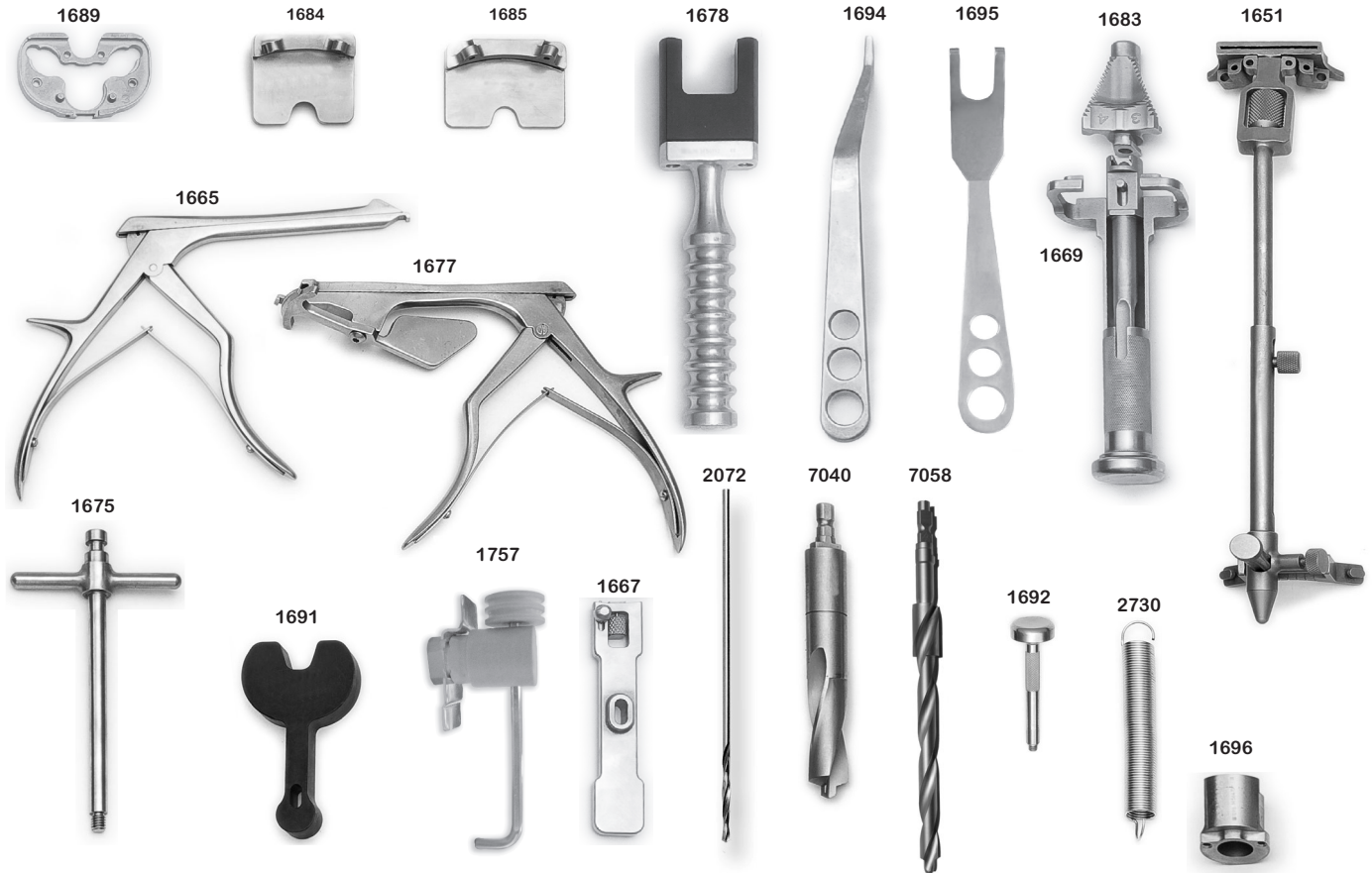
REF.	TAMANHO / Size
1687//01	C
/02	D
/03	E
/05	F

### GUIA DE ALINHAMENTO FEMORAL *Femoral alignment guide*

REF.	COMPRIMENTO / Length
1671/01	CURTO / Short
/02	LONGO / Long

### GUIA DE CORTE FEMORAL ANTERO/POSTERIOR *Antero/posterior femoral cutting guide*

REF.	TAMANHO / Size
1698//01	C
/02	D
/03	E
/05	F



1651	GUIA DE CORTE TIBIAL EXTRAMEDULAR <i>Extramedular tibial cutting guide</i>
1757	GUIA ORIENTADOR DO GUIA DE CORTE TIBIAL <i>Orienting guide of the tibial cutting guide</i>
1665	PINÇA DE REMOÇÃO PLATO TIBIAL <i>Tibial plateau displacement forcep</i>
1667	PINÇA PARA PLACA TIBIAL <i>Tibial plate forceps</i>
1669	IMPACTOR TIBIAL <i>Tibial impactor</i>
1675	EXTRATOR TIBIAL <i>Tibial extractor</i>
1677	PINÇA DE INSERÇÃO DO PLATÔ TIBIAL <i>Tibial plateau insertion forceps</i>
1678	IMPACTOR TIBIAL <i>Tibial impactor</i>
1684	GUIA DE CORTE VARO/VALGO TIBIAL <i>Tibial varo/valgo cutting guide</i>

1685	GUIA DE CORTE TIBIAL <i>Tibial cutting guide</i>
1692	IMPACTOR TIBIAL <i>Tibial impactor</i>
1694	AFASTADOR TIBIAL <i>Tibial retractor</i>
1695	AFASTADOR DE TENDÃO PATELAR <i>Tibial retractor</i>
1696	GUIA DE BROCA TIBIAL <i>Tibial drill guide</i>
2072	BROCA DE AÇO INOX Ø 3,2 MM <i>Stainless Steel Drill</i>
2730/03	GUIA ALINHADOR <i>Alignment guide</i>
7040	BROCA TIBIAL Ø 16,7 mm <i>Tibial drill Ø 16,7 mm</i>
7058	FRESA FEMORAL Ø 8 MM <i>Femoral reamer Ø 8 mm</i>

#### FRESA TIBIAL *Tibial reamer*

REF.	mm
1683//02	3/4
/03	5/6

#### MEDIDOR DE ESPAÇO ARTICULAR *Articular space gauge*

REF.	mm
1691/02	10
/03	12
/04	14
/05	17
/08	-3
/09	-5

#### GUIA DE CORTE PARA FRESA TIBIAL *Tibial plateau gauge with blocking*

REF.	TAMANHO / Size
1689//01	3
/02	4
/03	5
/05	6

# INSTRUMENTAL DE JOELHO NKS PLUS

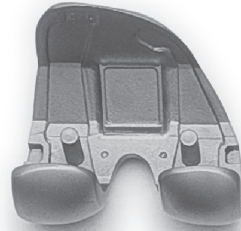
## NKS Plus Knee Instruments



7028  
7029  
7030  
7052  
7053



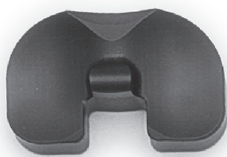
7031  
7032  
7033  
7054  
7055



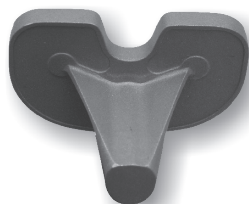
7035  
7036  
7056



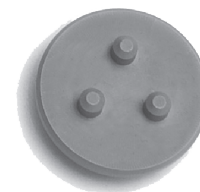
7037  
7038  
7057



7034



7039



### MEDIDOR FEMORAL COM BLOQUEIO

*Posterior Stabilized Femoral Gauge*

REF.	LADO / Side	TAMANHO / Size
7031/01	DIREITO / Right	C
/02	ESQUERDO / Left	C
7032/01	DIREITO / Right	D
/02	ESQUERDO / Left	D
7033/01	DIREITO / Right	E
/02	ESQUERDO / Left	E
7055/01	DIREITO / Right	F
/02	ESQUERDO / Left	F

### MEDIDOR FEMORAL SEM BLOQUEIO

*Cruciate Retaining Femoral Gauge*

REF.	LADO / Side	TAMANHO / Size
7028/01	DIREITO / Right	C
/02	ESQUERDO / Left	C
7029/01	DIREITO / Right	D
/02	ESQUERDO / Left	D
7030/01	DIREITO / Right	E
/02	ESQUERDO / Left	E
7053/01	DIREITO / Right	F
/02	ESQUERDO / Left	F

### MEDIDOR PLATÔ TIBIAL COM BLOQUEIO

*Tibial Plateau Gauge With Post*

3/4 REF.	5/6 REF.	mm
7037/02	7038/02	10
/03	/03	12
/04	/04	14
/05	/05	17

### MEDIDOR PLATÔ TIBIAL SEM BLOQUEIO

*Tibial Plateau Gauge Without Post*

3/4 REF.	5/6 REF.	mm
7035/02	7036/02	10
/03	/03	12
/04	/04	14
/05	/05	17

### MEDIDOR COMPONENTE TIBIAL

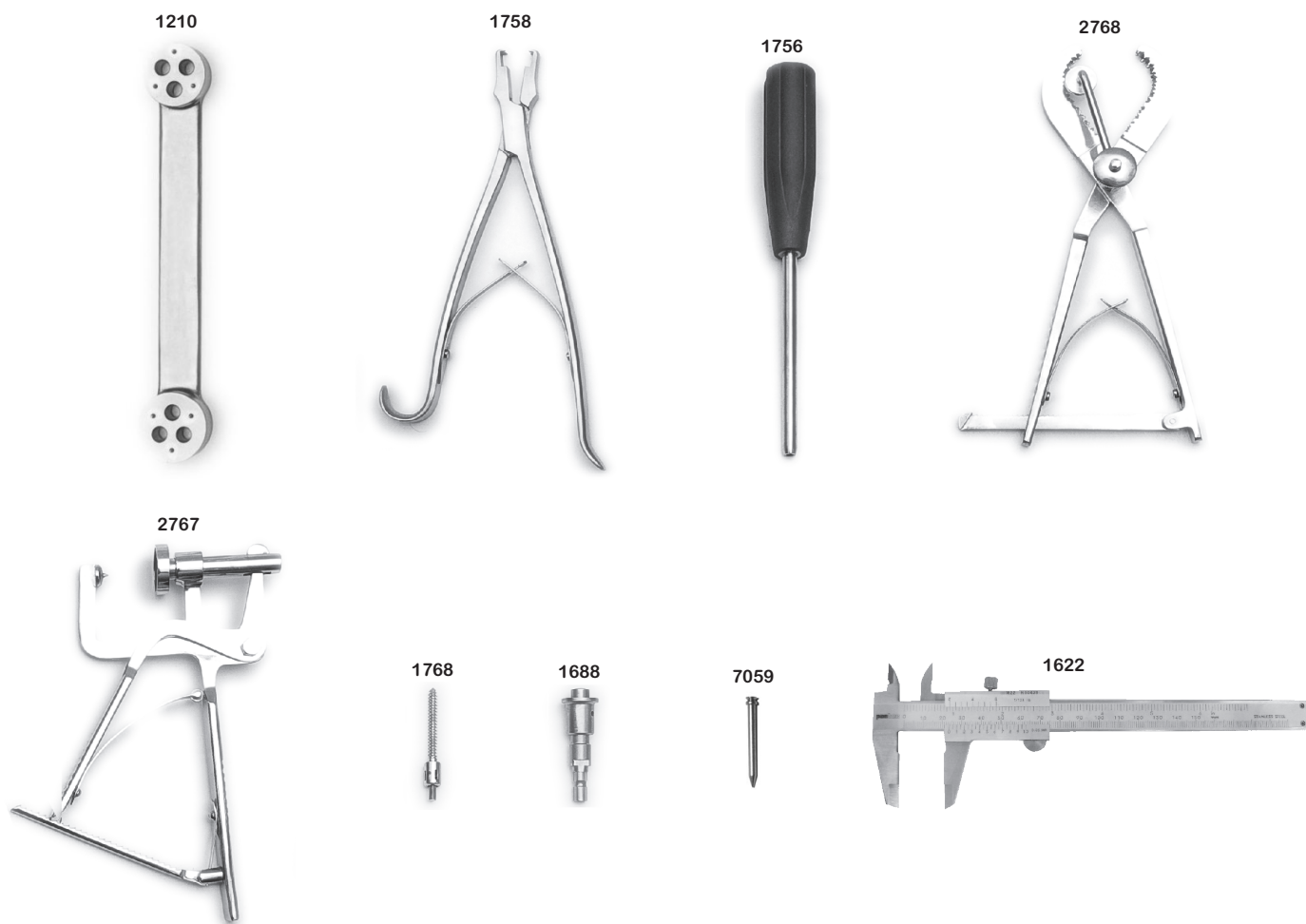
*Tibial Component Gauge*

REF.	TAMANHO / Size
7034//01	3
/02	4
/03	5
/05	6

### MEDIDOR DE PROVA PATELAR

*Patella Trial Gauge*

REF.	mm
7039/01	29
/02	32
/03	35
/04	38



1210	
1758	
1756	
2768	
2767	
1768	
1688	
7059	
1622	

1622	MEDIDOR PAQUÍMETRO <i>Calliper Gauge</i>
1756	CHAVE COM SEXTAVADO INTERNO <i>Wrench with internal hexhead</i>
1758	PINÇA PARA EXTRAÇÃO DO PREGO <i>Nail extraction forceps</i>
1768	PINO ROSQUEADO <i>Threaded fixator pin</i>
1688	EXTRATOR <i>Extractor</i>
2767	PINÇA PATELAR <i>Patelar forceps</i>
2768	PINÇA PATELAR <i>Patelar forceps</i>

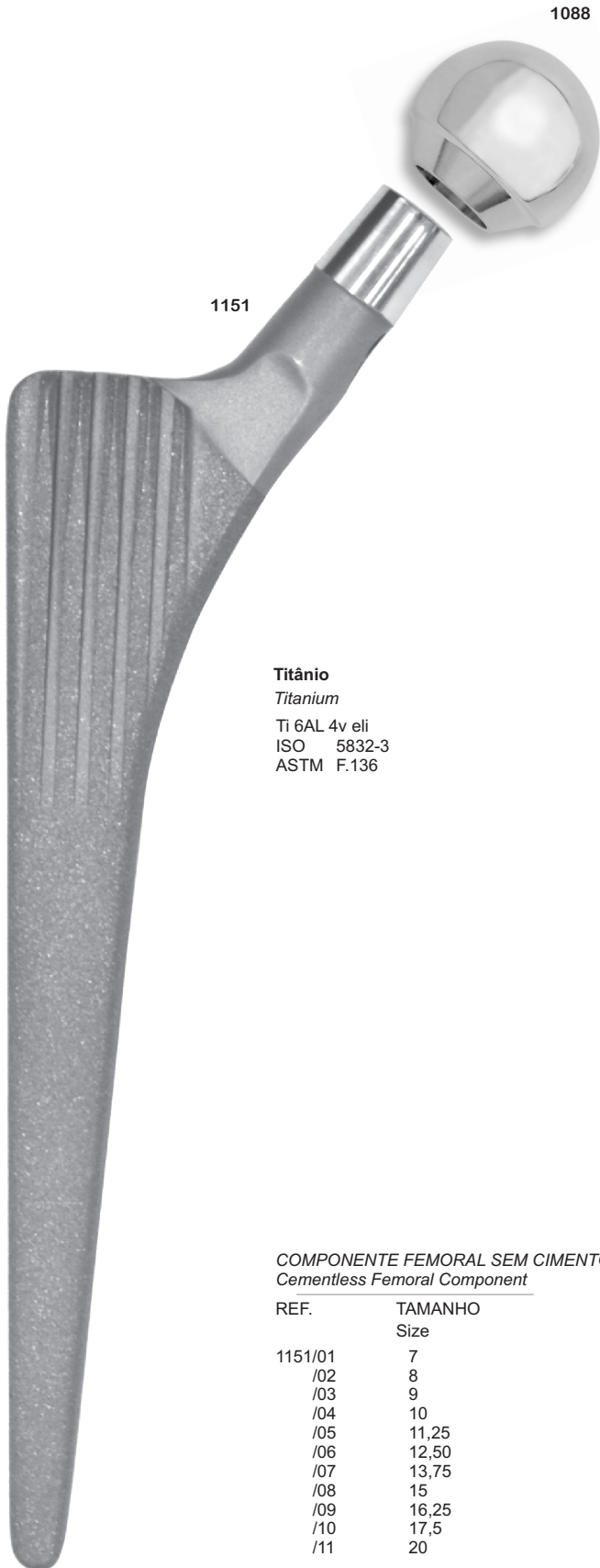
GUIA DE FURAÇÃO PATELAR <i>Patelar perforation guide</i>	
REF.	mm
1210/01	29/38
/02	32/35

PINO FIXAÇÃO 38 MM <i>Fixator perfurador 38 mm</i>	
REF.	mm
7059/01	38
/02	53
/03	56

# PRÓTESE DE QUADRIL SEM CIMENTO TIPO SPOTORNO

## Cementless Hip Prosthesis Type Spotorno

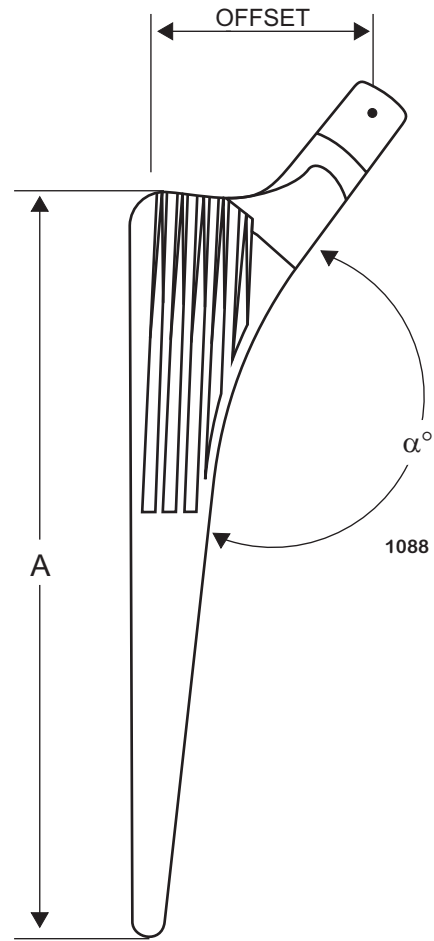


1088

Cr Co Mo  
ISO 5832-4  
ASTM F.75

1151

**Titânio**  
*Titanium*  
Ti 6AL 4v eli  
ISO 5832-3  
ASTM F.136



### CABEÇA INTERCAMBIÁVEL

*Interchangeable Head*

REF.	Ø mm	COMPR. Length
1088/01	28	CURTO Short
1088/02	28	NORMAL Normal
1088/03	28	LONGO Long

### COMPONENTE FEMORAL SEM CIMENTO

*Cementless Femoral Component*

REF.	TAMANHO Size
1151/01	7
/02	8
/03	9
/04	10
/05	11,25
/06	12,50
/07	13,75
/08	15
/09	16,25
/10	17,5
/11	20

TAMANHO Size	A	OFFSET	$\alpha^\circ$
7	142,8	35	135°
8	146,4	36,1	135°
9	150	37,2	135°
10	153,6	38,2	135°
11,25	158,1	39,4	135°
12,5	162,6	40,6	135°
13,75	167,1	41,8	135°
15	171,6	43	135°
16,25	176,1	44,2	135°



1652	CABO DA RASPA <i>Reamer Handle</i>
1792	GUIA DA FRESA ACETABULAR <i>Acetabular Reamer Guide</i>
2004	IMPACTOR FINAL <i>Final Impactor</i>
2006/01	CHAVE EM "T" <i>"T" Wrench</i>
2010	IMPACTOR <i>Impactor</i>
2016	GUIA ACETABULAR <i>Acetabular Guide</i>
2017	GUIA DE BROCA <i>Drill Guide</i>
GUIA MEDIDOR ACETABULAR <i>Guide Gauge Acetabular</i>	
REF.	Ø mm
1779/01	44
/02	46
/03	48
/04	50
/05	52
/06	54
/07	56
/08	58
/09	60
/10	62
2018	BROCA FLEXÍVEL <i>Flexible Drill</i>
2021	CHAVE COM JUNTA UNIVERSAL <i>Joint Universal Driver</i>

2679	MEDIDOR DE PROFUNDIDADE FLEXÍVEL <i>Flexible Depth Gauge</i>
2085	IMPACTOR DE INSERTO 22 mm <i>Insert Impactor</i>
2086	IMPACTOR DE INSERTO 28 mm <i>Insert Impactor</i>
FRESA RASPA SPOTORNO <i>Reamer Spotorno</i>	
REF.	Ømm
1659/01	7
/02	8
/03	9
/04	10
/05	11
/06	12
/07	13
/08	15
/09	16,25
MEDIDOR Ø 28MM <i>Gauge</i>	
REF.	TAMANHO / Size
2858/01	C
/02	M
03	L
2093	PINÇA PORTA PARAFUSO <i>Screw Forceps</i>
2727	GUIA DO MEDIDOR <i>Trial Measurer</i>

MEDIDOR DE COLO <i>Colon Gauge</i>	
REF.	TAMANHO Size
7047/01	7 - 8 - 9
/02	10 - 11,25 - 12,5
/03	13,75
/04	15
/05	16,25
FRESA ACETABULAR <i>Acetabular Reamer</i>	
REF.	Ømm
2005/16	44
/17	46
/18	48
/19	50
/20	52
/21	54
/22	56
/23	58
/24	60
/25	62
FRESA FEMORAL LONGA CÔNICA <i>Conical Femoral Reamer</i>	
REF.	Ømm
2830/01	10
MEDIDOR Ø 22MM <i>Gauge</i>	
REF.	TAMANHO / Size
2858/10	M
/11	L

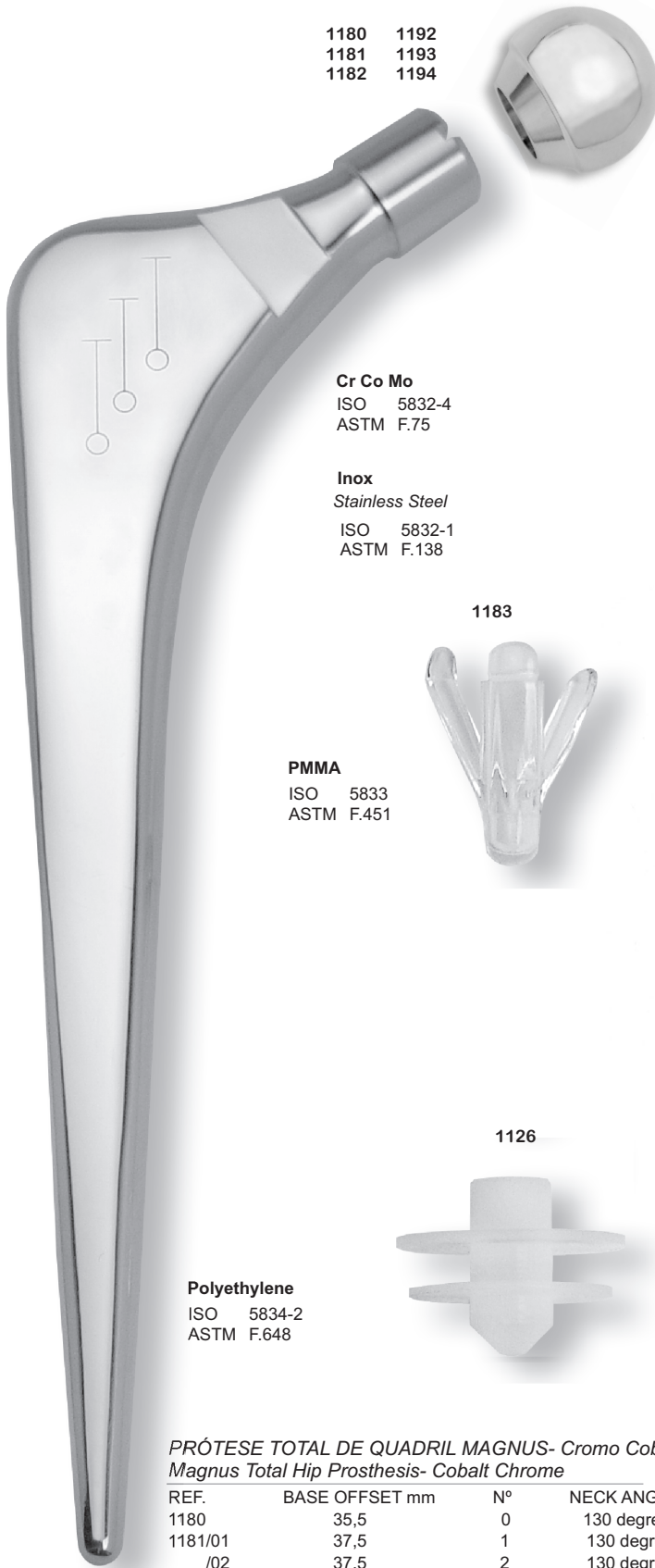
# PRÓTESE TOTAL DE QUADRIL MAGNUS

## Magnus Total Hip Prosthesis



1180 1192  
1181 1193  
1182 1194

1082  
1088



**Cr Co Mo**  
ISO 5832-4  
ASTM F.75

**Inox**  
Stainless Steel  
ISO 5832-1  
ASTM F.138

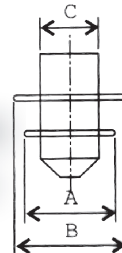
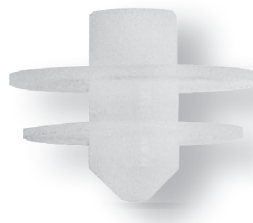
**PMMA**  
ISO 5833  
ASTM F.451

**Polyethylene**  
ISO 5834-2  
ASTM F.648

1183



1126



### CABEÇA INTERCAMIÁVEL AÇO INOXIDÁVEL

#### Interchangeable Head - Stainless Steel

REF.	Ø mm	COMPR. Length
1082/01	28	CURTO Short
1082/02	28	NORMAL Norma
1082/03	28	LONGO Long

### CABEÇA INTERCAMIÁVEL CROMO COBALTO

#### Interchangeable Head - Chrome Cobalt

REF.	Ø mm	COMPR. Length
1088/01	28	CURTO Short
1088/02	28	NORMAL Normal
1088/03	28	LONGO Long

### 1183 CENTRALIZADOR DISTAL

#### Distal Centralizer

### BLOQUEADOR DE CIMENTO

#### Bone Plug

REF.	TAMANHO Size	A Ømm	B Ø mm	C Ø mm
1126/01	PEQUENO Small	14	17	9
/02	MÉDIO Medium	18	21	9
/03	GRANDE Large	22	25	9

### PRÓTESE TOTAL DE QUADRIL MAGNUS- Cromo Cobalto

#### Magnus Total Hip Prosthesis- Cobalt Chrome

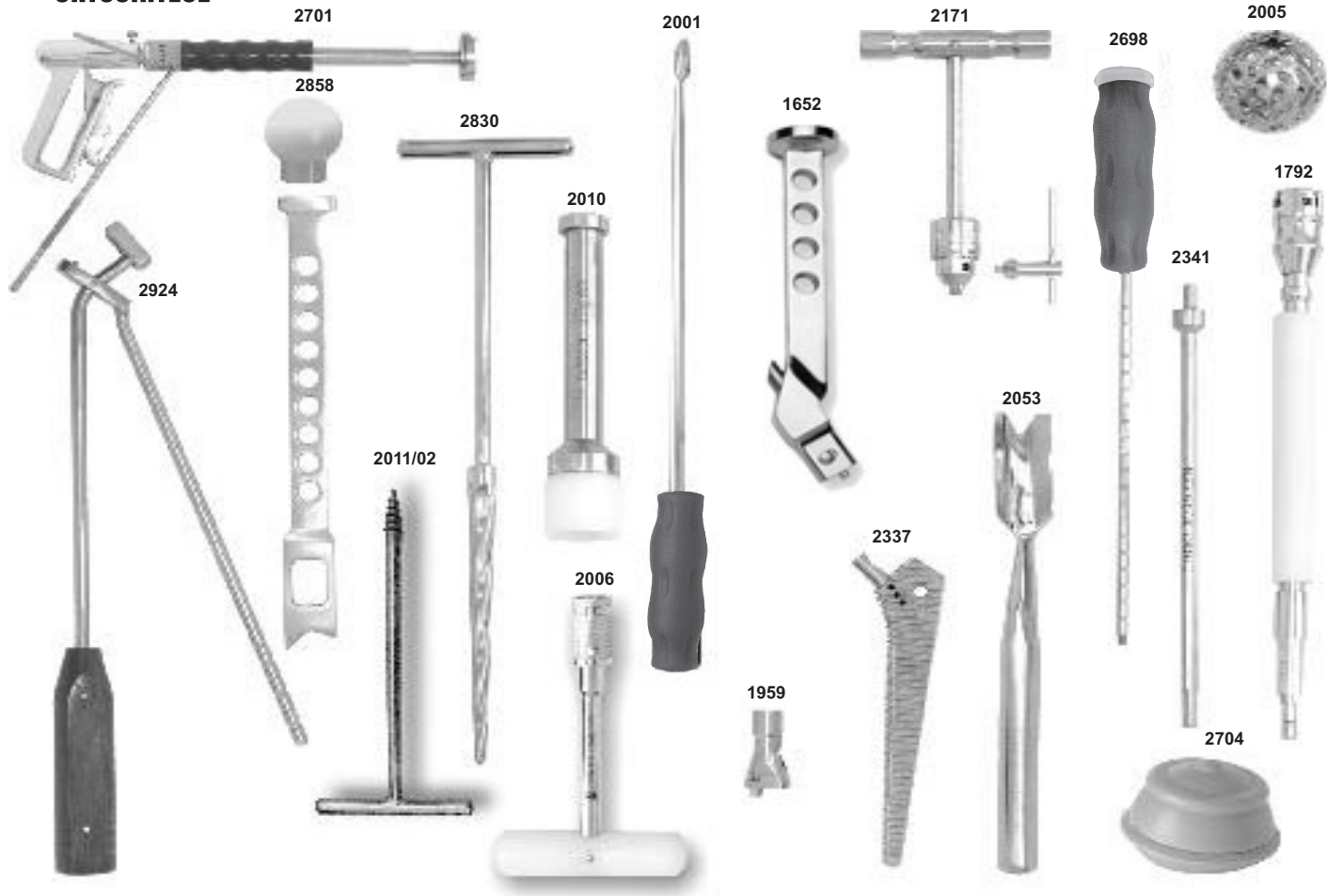
REF.	BASE OFFSET mm	Nº	NECK ANGLE
1180	35,5	0	130 degrees
1181/01	37,5	1	130 degrees
/02	37,5	2	130 degrees
/03	37,5	3	130 degrees
1182/01	44	1	130 degrees
/02	44	2	130 degrees
/03	44	3	130 degrees
/04	44	4	130 degrees

### PRÓTESE TOTAL DE QUADRIL MAGNUS- Inox

#### Magnus Total Hip Prosthesis - Stainless Steel

REF.	BASE OFFSET mm	Nº	NECK ANGLE
1192	35,5	0	130 degrees
1193/01	37,5	1	130 degrees
/02	37,5	2	130 degrees
/03	37,5	3	130 degrees
1194/01	44	1	130 degrees
/02	44	2	130 degrees
/03	44	3	130 degrees
/04	44	4	130 degrees





2001	CURETA MÉDIA 13x24 mm Medium Curette
2006	CHAVE EM T T Wrench
2010	IMPACTOR Impactor
2011/02	EXTRATOR LONGO DE CABEÇA DE FÊMUR Femoral Head Extrator
2053	OSTEÓTOMO DE LIGAMENTO Ligament Osteotome
1652	GUIA DE FRESA Reamer Guide
2171	CHAVE EM T COM MANDRIL T Wrench With Chuck
2340	FRESA INICIAL FEMORAL Femoral Initial Reamer
2698	IMPACTOR DO BLOQUEADOR DE CIMENTO Bone Plug Impactor
1792	GUIA DA FRESA ACETABULAR Acetabular Reamer Guide
2701	GUIA POSICIONADOR DA PRÓTESE ACETABULAR Acetabular Positioner Guide
2924	GUIA POSICIONADOR DA PRÓTESE FEMORAL Femoral Prosthesis Positioner Guide

### FRESA ACETABULAR Acetabular Reamer

REF.	Ø mm
2005/16	44
/17	46
/18	48
/19	50
/20	52
/21	54
/22	56
/23	58
/24	60
/25	62

### MEDIDOR ACETABULAR Acetabular Deph Gauge

REF.	Ø mm
2704/01	44
/02	46
/03	48
/04	50
/05	52
/06	54
/07	56
/08	58
/09	60
/10	62

### FRESA COM STOP Reamer With Stop

REF.	Ø mm
2341/01	4,9 x 10
/02	7,9 x 15

### FRESA FEMORAL LONGA CÔNICA Conical Femoral Reamer

REF.	Ø mm
2830/01	12
/02	16

### FRESA FEMORAL MAGNUS Magnus Femoral Reamer

REF.	Ø mm	Nº
2337/01	35,5	0
/02	37,5	1
/03	37,5	2
/04	37,5	3
/05	44,0	1
/06	44,0	2
/07	44,0	3
/08	44,0	4

### MEDIDOR DE CABEÇA Trial Head

REF.	Ø mm
2858/01	28 Curto
/02	28 Médio
/03	28 Longo

### MEDIDOR DE COLO Trial Neck

REF.	Ø mm
1959/01	35,5
/02	37,5
/03	44

# PRÓTESE ACETABULAR

## Acetabular Prosthesis



### PRÓTESE ACETABULAR

#### Acetabular Prosthesis

REF.	Ø mm
1128/01	44
/02	46
/03	48
/04	50
/05	52
/06	54
/07	56
/08	58
/09	60
/10	62

**Polyethylene**  
ISO 5834-2  
ASTM F.648

**PMMA**  
ISO 5833  
ASTM F.451



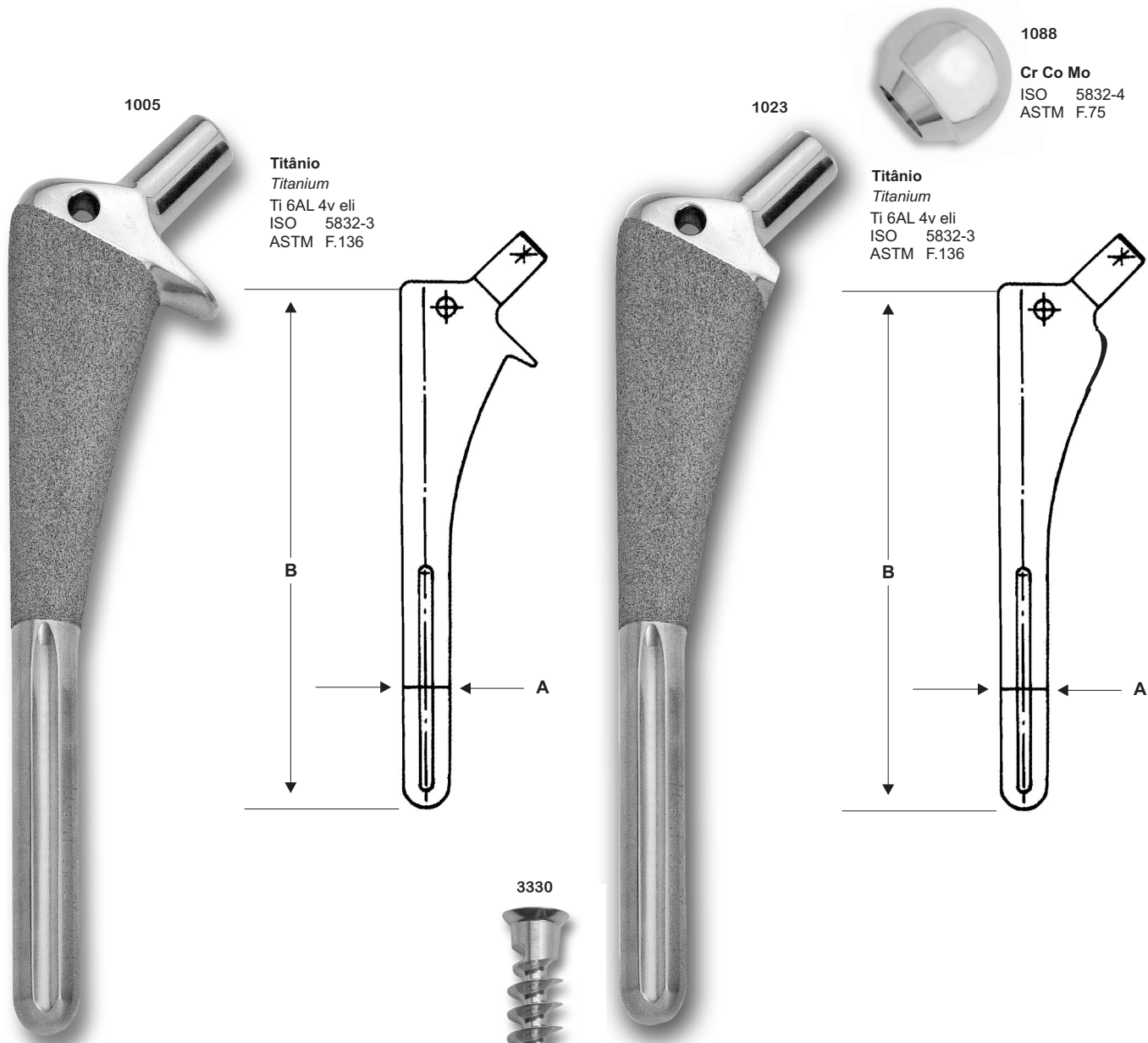
### CABEÇA INTERCAMBIÁVEL

#### Interchangeable Head

REF.	Ø mm	COMPR. Length
1088/01	28	CURTO Short
/02	28	NORMAL Normal
/03	28	LONGO Long

**Cr Co Mo**  
ISO 5832-4  
ASTM F.75





**CABEÇA INTERCAMIÁVEL**  
*Interchangeable Head*

REF.	Ø mm	COMPR. Length
1088/01	28	CURTO Short
1088/02	28	NORMAL Normal
1088/03	28	LONGO Long

**COMPONENTE FEMORAL**  
*Femoral Component*

REF.	A Ø mm	B COMPR.
1005/10	10	130
/11	11	135
/12	12	140
/13	13	145
/14	14	150
/15	15	155
/16	16	160

**PRÓTESE FEMORAL**  
*Femoral Prosthesis*

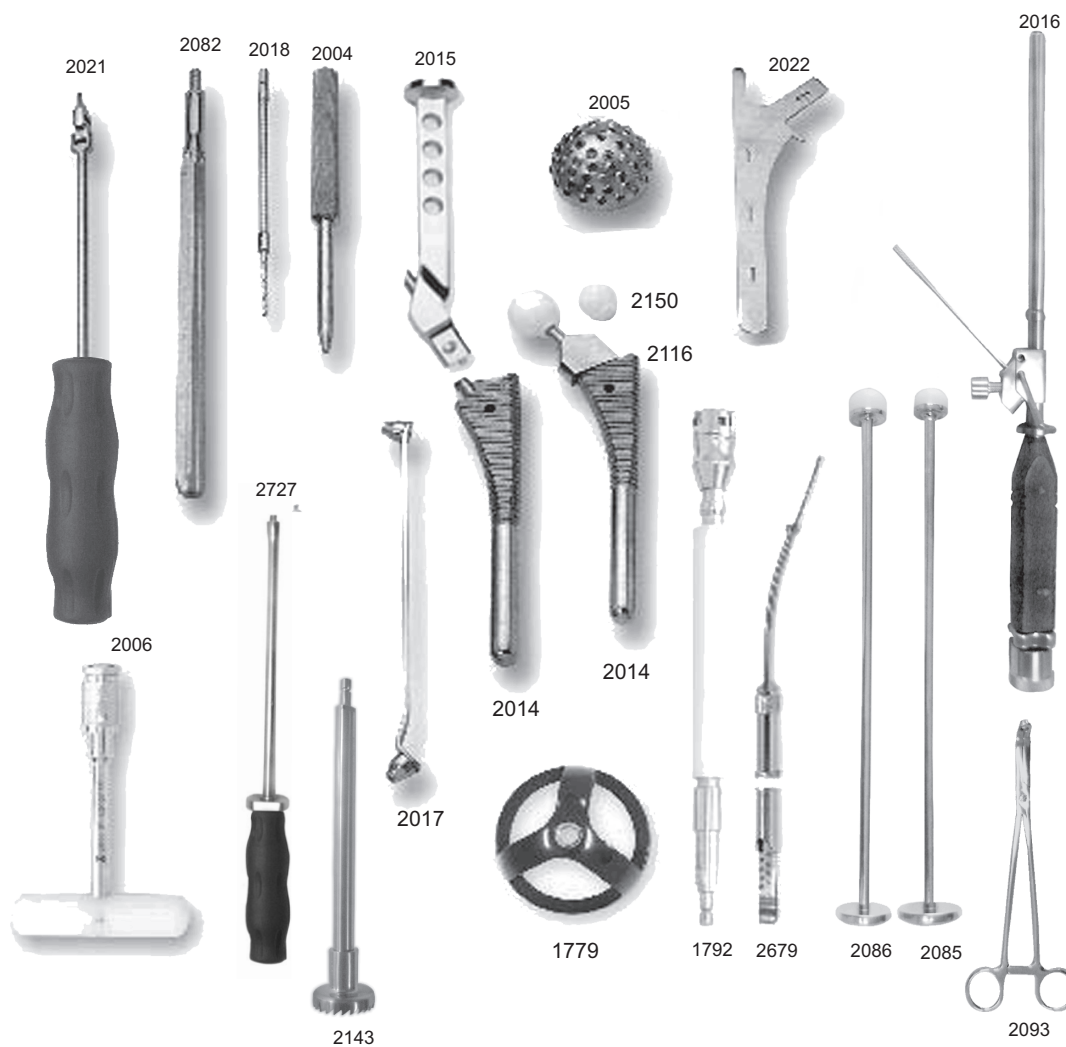
REF.	A Ø mm	B COMPR.
1023/10	10	130
/11	11	135
/12	12	140
/13	13	145
/14	14	150
/15	15	155
/16	16	160

**PARAFUSO TITÂNIO Ø 6,5 mm**  
*Titanium Screw*

REF.	COMPR mm
3330/15	15
/20	20
/25	25
/30	30
/35	35
/40	40
/45	45
/50	50
/55	55
/60	60

# INSTRUMENTAL PARA PRÓTESE DE QUADRIL SEM CIMENTO

## Cementless Hip Prosthesis Instruments



### FRESA ACETABULAR

Acetabular Reamer

REF.	Ø mm
2005/14	40
/15	42
/16	44
/17	46
/18	48
/19	50
/20	52
/21	54
/22	56
/23	58
/24	60
/25	62

### FRESA INTRAMEDULAR

Intramedullary Reamer

REF.	Ø mm
2082/01	10
/02	11
/03	12
/04	13
/05	14
/06	15
/07	16

### FRESA FEMORAL

Femoral Reamer

REF.	Ø mm
2014/01	10
/02	11
/03	12
/04	13
/05	14
/06	15
/07	16
/08	17
/09	18

### GUIA DE CORTE

Cutting Guide

REF.	Ø mm
2022/01	10 a 13
2022/02	14 a 15
2022/03	16 a 17

1792 GUIA DA FRESA  
Reamer Guide

2004 IMPACTOR FINAL  
Final Impactor

2006/01 CHAVE EM "T"  
"T" Wrench

2015 CABO DA RASPA  
Shaving Handle

2016 GUIA ACETABULAR  
Acetabular Guide

2017 GUIA DE BROCA  
Drill Guide

2018 BROCA FLEXÍVEL  
Flexible Drill

2021 CHAVE COM JUNTA UNIVERSAL  
Joint Universal Driver

### GUIA MEDIDOR ACETABULAR

Guide Gauge Acetabular

REF.	Ø mm	REF.	Ø mm
1779/01	44	1779/07	56
/02	46	/08	58
/03	48	/09	60
/04	50	/10	62
/05	52		
/06	54		

2093 PINÇA PORTA PARAFUSO  
Screw Forceps

2679 MEDIDOR DE PROFUNDIDADE FLEXÍVEL  
Flexible Depth Gauge

2085 IMPACTOR DE INSERTO 22 mm  
Insert Impactor

2086 IMPACTOR DE INSERTO 28 mm  
Insert Impactor

2143 FRESA DE TOPO  
Top Reamer

2727 GUIA DO MEDIDOR  
Trial Measurer

### MEDIDOR DE COLO DE PROVA

Gauge

REF.	Ø mm
2116/01	10 a 14
/02	15 a 18

### MEDIDOR

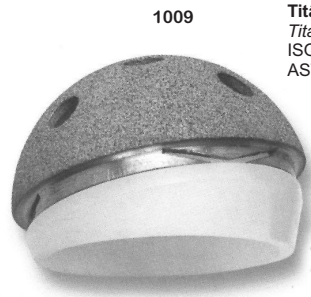
Gauge

REF.	Ø mm	COMPR. CAB. Neck Length
2150/01	22	MÉDIO Medium
/02	22	LONGO Long

### MEDIDOR

Gauge

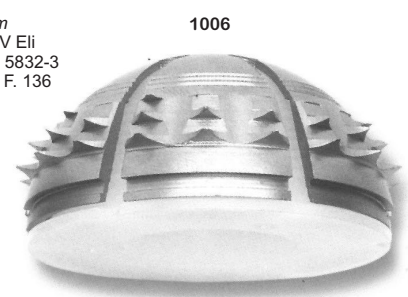
REF.	Ø mm	COMPR. CAB. Neck Length
2151/01	28	CURTO Short
/02	28	MÉDIO Medium
/03	28	LONGO Long



1009

**Titânio**  
Titanium  
ISO 5832-2  
ASTM F. 67

**Polyethylene**  
ISO 5834-2  
ASTM F.648



1006

**Titânio**  
Titanium  
Ti 6Al 4V Eli  
ISO 5832-3  
ASTM F. 136

**Polyethylene**  
ISO 5834-2  
ASTM F.648

3330



**Titânio**  
Titanium  
Ti 6Al 4V Eli  
ISO 5832-3  
ASTM F. 136

**PRÓTESE ACETABULAR EXPANSÃO SEM REBORDO**  
*Expansive Acetabular Prosthesis Without Flange*

REF. mm	EXT. Ø mm	CAB Ø
	Ext.	Head
1006/46	46	28
/48	48	28
/50	50	28
/52	52	28
/54	54	28
/56	56	28
/58	58	28
/60	60	28

**PRÓTESE ACETABULAR APARAFUSADA  
COM PLASMA SPRAY COM REBORDO**  
*Acetabular Prosthesis Screwed  
With Plasma Spray With Flange*

REF. mm	EXT. Ø mm	CAB Ø
	Ext.	Head
1009/40	40	22
/42	42	22
/44	44	22
/46	46	28
/48	48	28
/50	50	28
/52	52	28
/54	54	28
/56	56	28
/58	58	28

**PARAFUSO TITÂNIO Ø 6,5 mm**  
*Titanium Screw*

REF.	COMPR mm
3330/15	15
/20	20
/25	25
/30	30
/35	35
/40	40
/45	45
/50	50
/55	55

# INSTRUMENTAL PARA PRÓTESE DE QUADRIL SEM CIMENTO

## Cementless Hip Prosthesis Instruments



2006	CHAVE "T" PARA FRESA "T" Wrench For Reamer
2058	GUIA DE APOIO Supporting Guide
2059	CHAVE CATRACA Ratchet Spanner
2060	GUIA Guide
2080	IMPACTOR POSICIONADOR Positioner Impactor
1792	GUIA DA FRESA Reamer Guide

### CHAVE APERTO DO ACETÁBULO Acetabular Tightening Wrench

2088/01	46 a 50
/02	50 a 62

### FRESA ACETABULAR Acetabular Reamer

REF.	Ø mm
2005/14	40
/15	42
/16	44
/17	46
/18	48
/19	50
/20	52
/21	54
/22	56
/23	58
/24	60
/25	62

### CHAVE POSICIONADORA Positioner Wrench

2142/01	46 a 50
/02	50 a 62

### GUIA EXPANSOR CÔNICO Conical Expansion Guide

2111/01	46
/02	48
/03	50
/04	52
/05	54
/06	56
/07	58
/08	60
/09	62



**PRÓTESE FEMORAL MODULAR**  
*Modular Femoral Prosthesis*

REF.	Ø mm
1080/01	7,5
/02	10,0
/03	12,5
/04	15,0
/05	17,5

**PRÓTESE TIPO MULLER**  
*Prosthesis Muller Type*

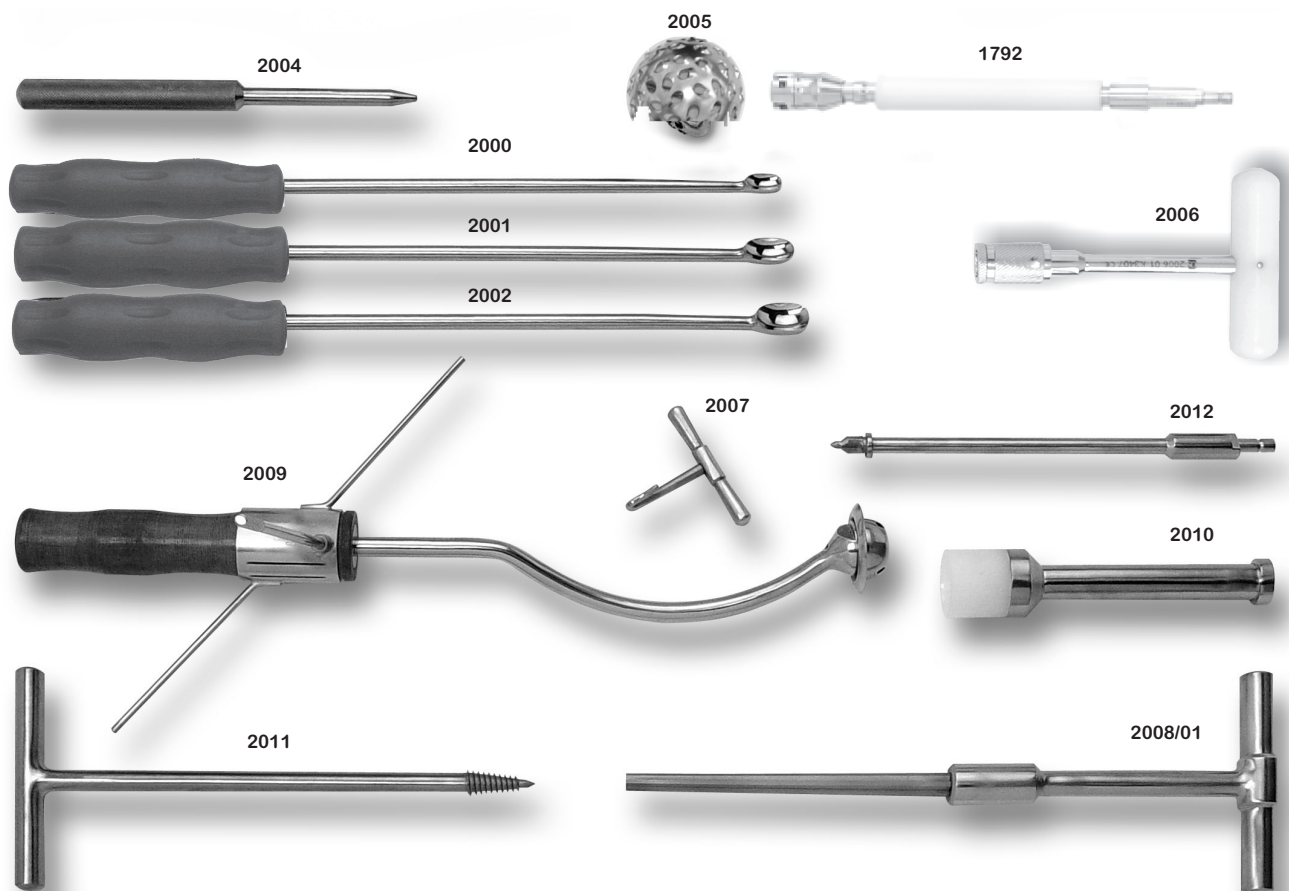
REF.	Ø mm
1008/01	7,5
/02	10,0
/03	12,5
/04	15,0
/05	17,5

**CABEÇA INTERCAMBIÁVEL**  
*Interchangeable Head*

REF.	Ø mm	COMPR. COLO mm Neck Length
1081/01	32	CURTO Short
/02	32	NORMAL Normal
/03	32	LONGO Long
1082/01	28	CURTO Short
/02	28	NORMAL Normal
/03	28	LONGO Long

# INSTRUMENTAL TIPO MULLER

## Muller Type Instruments



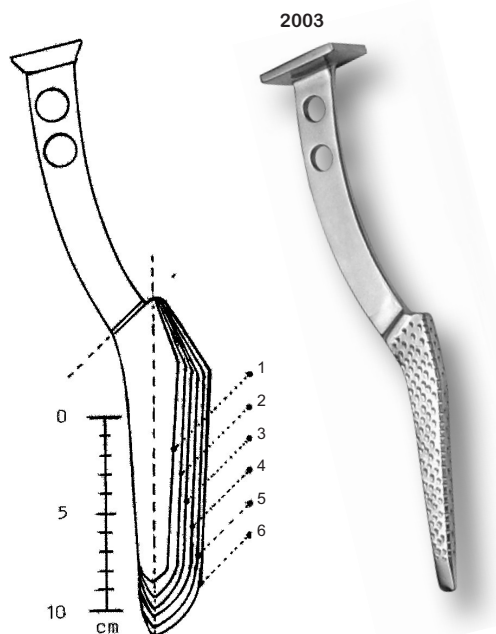
2000	CURETA 9 X 19mm Curette
2001	CURETA 13 X 24mm Curette
2002	CURETA 16 X 27mm Curette
2004	IMPACTOR FINAL Final Impactor
2006	CHAVE "T" PARA FRESA "T" Wrench For Reamer
2007	CHAVE "PAR" Wrench "Pair"
2008/01	FRESA ROTATIVA Taper Reamer
2009	GUIA DE ACETÁBULO Acetabulum Guide
2010	IMPACTOR DE CABEÇA Head Impactor
2011	EXTRATOR DE CABEÇA DE FÊMUR Femoral Head Extractor
2012	BROCA COM STOP Drill With Stop
1792	GUIA DA FRESA Reamer Guide

### FRESA ACETABULAR Acetabular Reamer

REF.	Ø mm
2005/40	40
/42	42
/44	44
/46	46
/48	48
/50	50
/52	52
/54	54
/56	56
/58	58
/60	60
/62	62

### FRESA Reamer

REF.	Ø mm
2003/01	7,5
/02	10,0
/03	12,5
/04	15,0
/05	17,5
/06	20,0

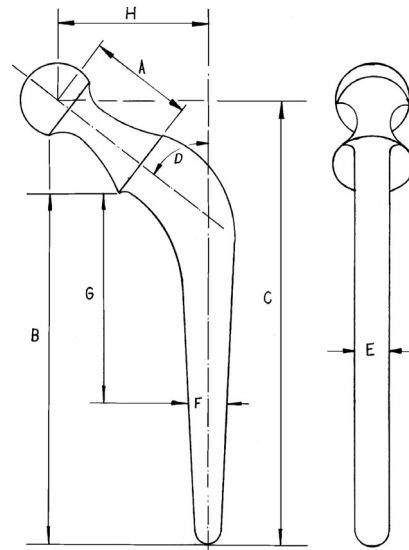




# PRÓTESE DE QUADRIL TIPO CHARNLEY Hip Prosthesis Charnley Type



**Inox**  
Stainless Steel  
ISO 5832-1  
ASTM F.138



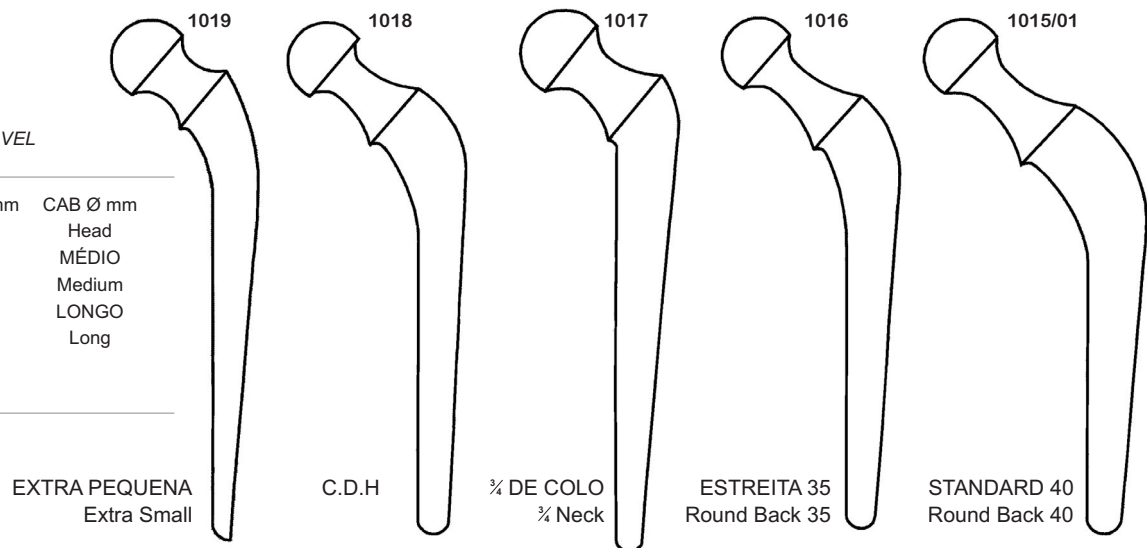
## PRÓTESE TIPO CHARNLEY Charnley Type Prosthesis

REF.		A	B	C	D	E	F	G	H
1015/01	STANDARD 40 Round Back 40	32,0	112	140	50°	9,6	12,6	72	40
1016	ESTREITA 35 Round Back 35	32,0	112	140	50°	8,0	12,6	72	35
1017	¾ COLO ¾ Neck	25,6	112	136	50°	9,6	13,5	61	35
1018	C.D.H. C.D.H.	25,6	113	136	50°	9,6	11,5	62	26
1019	EXTRA PEQUENA Small Extra	20,2	119	140	50°	8,0	9,9	68	27

1015/02      STANDARD 40 MODULAR  
Standard Back 40 Modular

### CABEÇA INTERCAMBIÁVEL Interchangeable Head

REF.	EXT. Ø mm Ext.	CAB Ø mm Head
1083/01	22	MÉDIO Medium
/02	22	LONGO Long



EXTRA PEQUENA  
Extra Small

C.D.H.

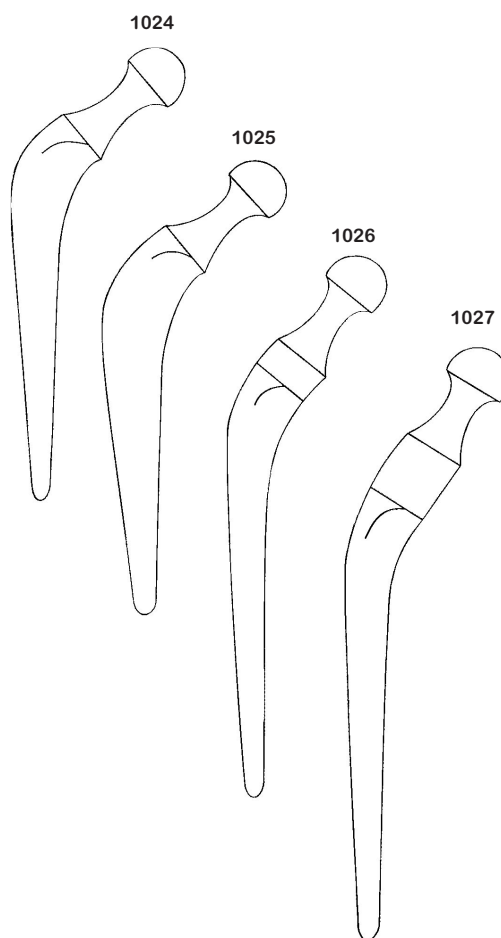
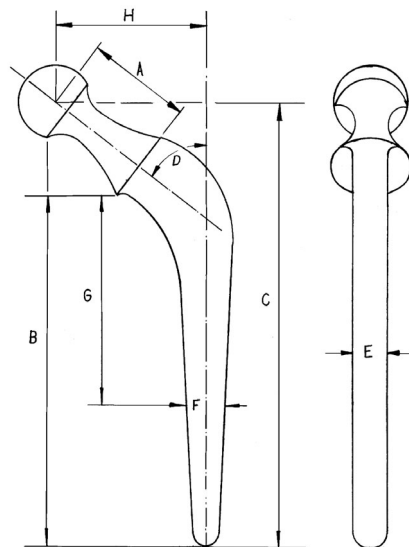
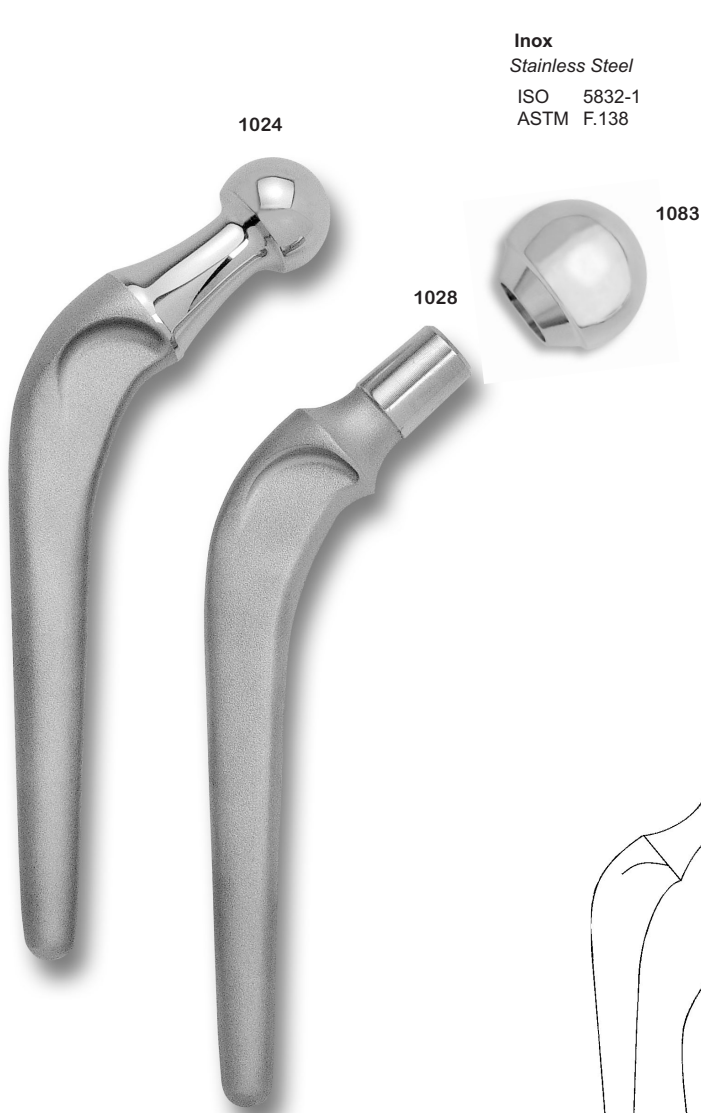
¾ DE COLO  
¾ Neck

ESTREITA 35  
Round Back 35

STANDARD 40  
Round Back 40

# PRÓTESE DE QUADRIL TIPO CHARNLEY

## Hip Prosthesis Charnley Type



### PRÓTESE TIPO CHARNLEY

Charnley Type Prosthesis

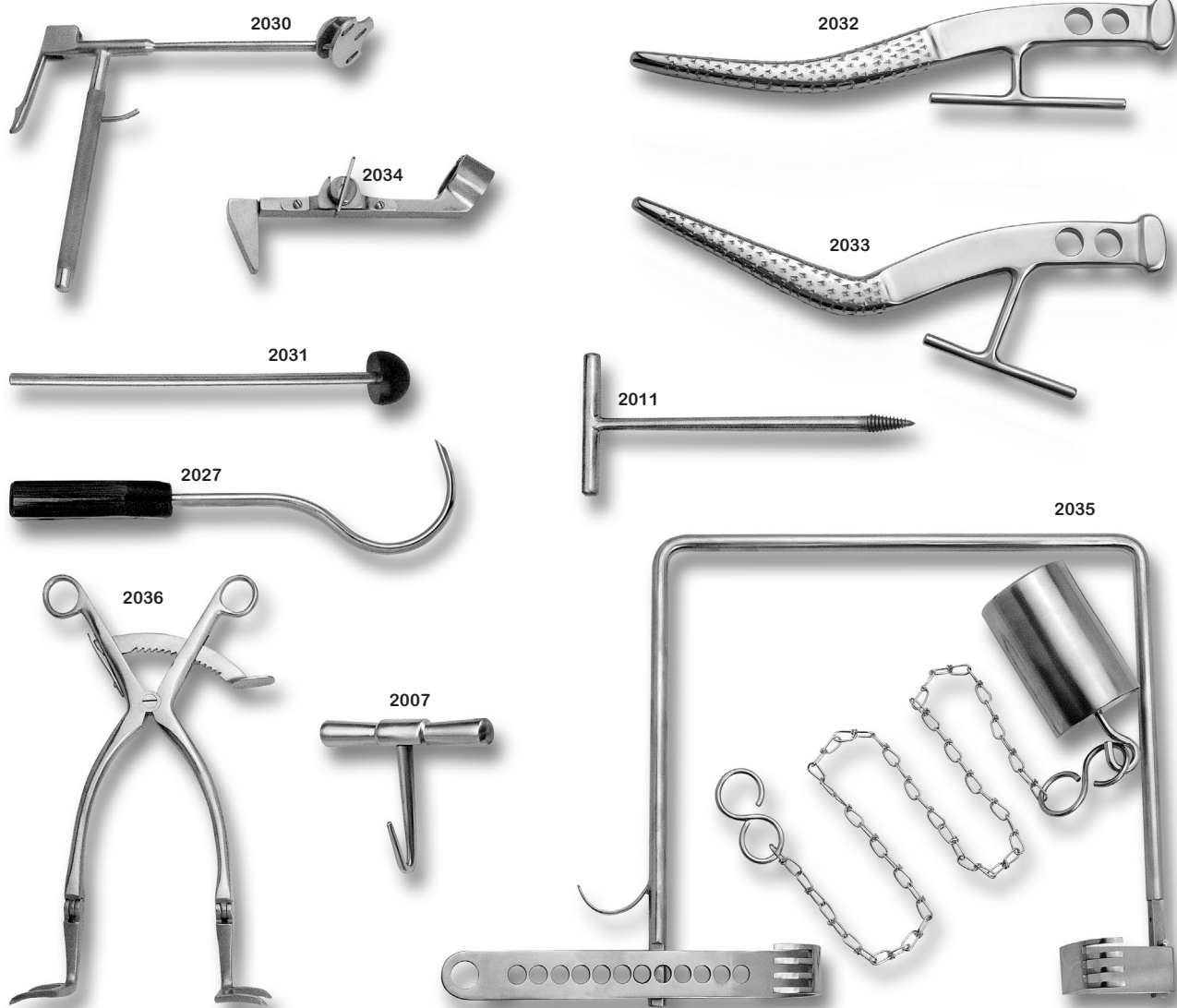
REF.	A	B	C	D	E	F	G	H
1024	32	112	140	50°	9,6	12,6	61	40,0
1025	32	112	140	50°	9,6	15,6	61	40,0
1026	42	114	153	50°	9,6	11,6	63	38,4
1027	42	114	153	50°	9,6	15,6	63	38,4

1028 PRÓTESE CHARNLEY MODULAR FLANGE  
Modular Flange Charnley Prosthesis

### CABEÇA INTERCAMBIÁVEL

Interchangeable Head

REF.	EXT. Ø mm	CAB Ø mm
	Ext.	Head
1083/01	22	MÉDIO Medium
/02	22	LONGO Long

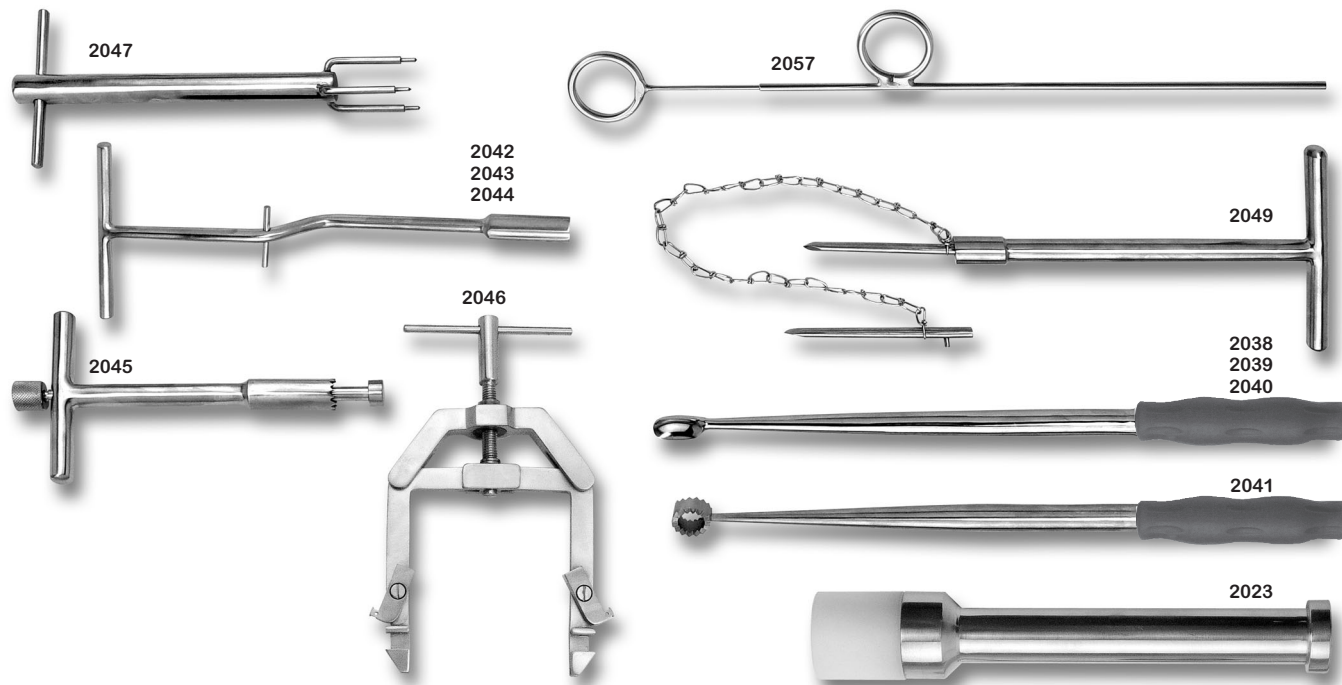


2007	CHAVE (PAR) Wrench (Pair)
2011	EXTRATOR DE CABEÇA DE FÊMUR Femoral Head Extractor
2027	GUIA DO FIO Wire Guide
2030	GUIA DE ACETÁBULO Acetabular Guide
2031	IMPACTOR DE CÁPSULA Cup Impactor
2032	FRESA RETA Straight Reamer

2033	FRESA CURVA Curved Reamer
2034	GUIA E IMPACTOR DE PRÓTESES Prosthesis Guide And Impactor
2035	AFASTADOR INICIAL Starting Retractor
2036	AFASTADOR BECKMAN ADSON Beckman Adson Retractor

# INSTRUMENTAL TIPO CHARNLEY

## Charnley Type Instruments



2023 *IMPACTOR*  
Impactor

2038 *CURETA PEQUENA 350mm*  
Curette Small

2039 *CURETA MÉDIA 350mm*  
Curette Medium

2040 *CURETA GRANDE 350mm*  
Curette Large

2041 *CURETA DENTADA 350mm*  
Curette Ring

2042 *GUIA ÊMBOLO PEQUENO*  
Small Sliding Rod

2043 *GUIA ÊMBOLO MÉDIO*  
Medium Sliding Rod

2044 *GUIA ÊMBOLO GRANDE*  
Large Sliding Rod

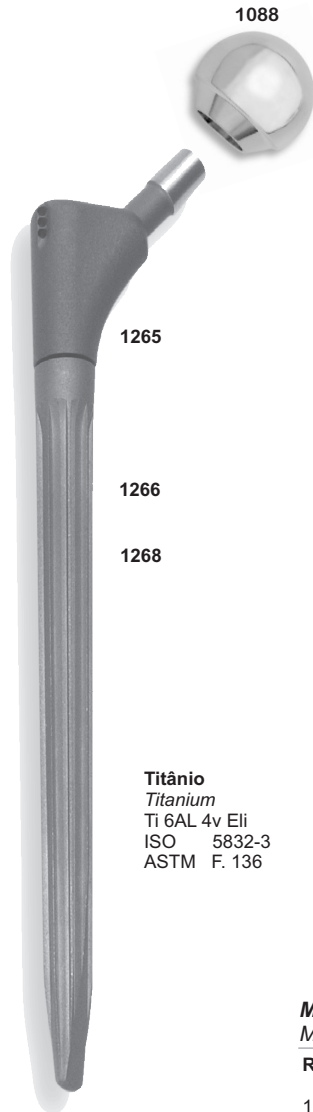
2045 *FRESA COM ÊMBOLO DESLIZANTE*  
Miller With Reamer Sliding Rod

2046 *EXTRATOR*  
Extractor

2047 *PERFURADOR*  
Perforator

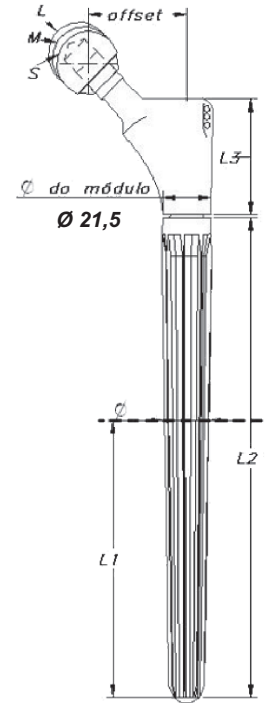
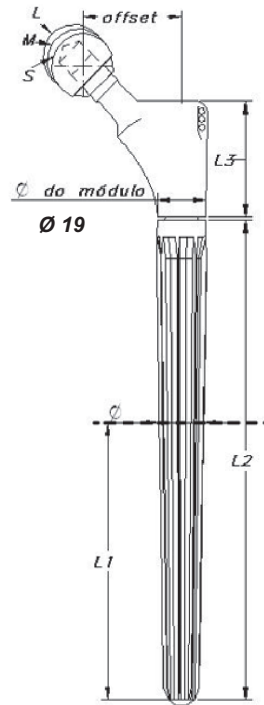
2049 *AFASTADOR PARA PINOS*  
Pin Retractor Set

2057 *EXTRATOR DE AR*  
Breather



**Titânio**  
Titanium  
Ti 6AL 4v Eli  
ISO 5832-3  
ASTM F. 136

**Cr Co Mo**  
ISO 5832-4  
ASTM F.75



### MÓDULO Ø 19

Module

REF.	L3	OFFSET
1265/01	50	41
/02	60	41
/03	70	41
/04	80	41
/05	50	46
/06	60	46
/07	70	46
/08	80	46

### MÓDULO Ø 21.5

Module

REF.	L3	OFFSET
1266/01	50	41
/02	60	41
/03	70	41
/04	80	41
/05	50	46
/06	60	46
/07	70	46
/08	80	46

### CABEÇA INTERCAMBIÁVEL

Interchangeable Head

REF.	Ø mm	COMPR. Length
1088/01	28	CURTO Short
1088/02	28	NORMAL Normal
1088/03	28	LONGO Long

### HASTES

Handles

	Ø	L1	L2
1268/01	14	113,5	130
/02	15	113,5	130
/03	16	113,5	130
/04	17	113,5	130
/08	14	120	160
/09	15	120	160
/10	16	120	160
/11	17	120	160
/19	14	120	210
/20	15	120	210
/21	16	120	210
/22	17	120	210

### HASTES

Handles

	Ø	L1	L2
1268/05	18	113,5	130
/06	19	113,5	130
/07	20	113,5	130
/12	18	120	160
/13	19	120	160
/14	20	120	160
/15	21	120	160
/16	22	120	160
/17	23	120	160
/18	24	120	160
/23	18	120	210
/24	19	120	210
/25	20	120	210
/26	21	120	210
/27	22	120	210
/28	23	120	210
/29	24	120	210

1270 PARAFUSO TAMPÃO  
Plug Screw

1271 PARAFUSO DE FIXAÇÃO DA HASTE DISTAL  
Screws to fix the distal rod

# INSTRUMENTAL PARA PRÓTESE DE REVISÃO PARA QUADRIL

## Instruments For Hip Revision Prosthesis



2075/02	CHAVE SEXTAVADA 4,5 mm Hexagonal Wrench
7062	IMPACTOR / EXTRATOR Impactor / Extractor
2006	CHAVE "T" "T" Wrench
2360/02	MARTELO 500g Hammer 500g

FRESA Reamer	
REF. mm	Ø
7045/01 265	14 x
/02	15 x
/03	16 x

MEDIDOR DE CABEÇA Trial Head	
REF.	Ø
2858/01	28
/02	28

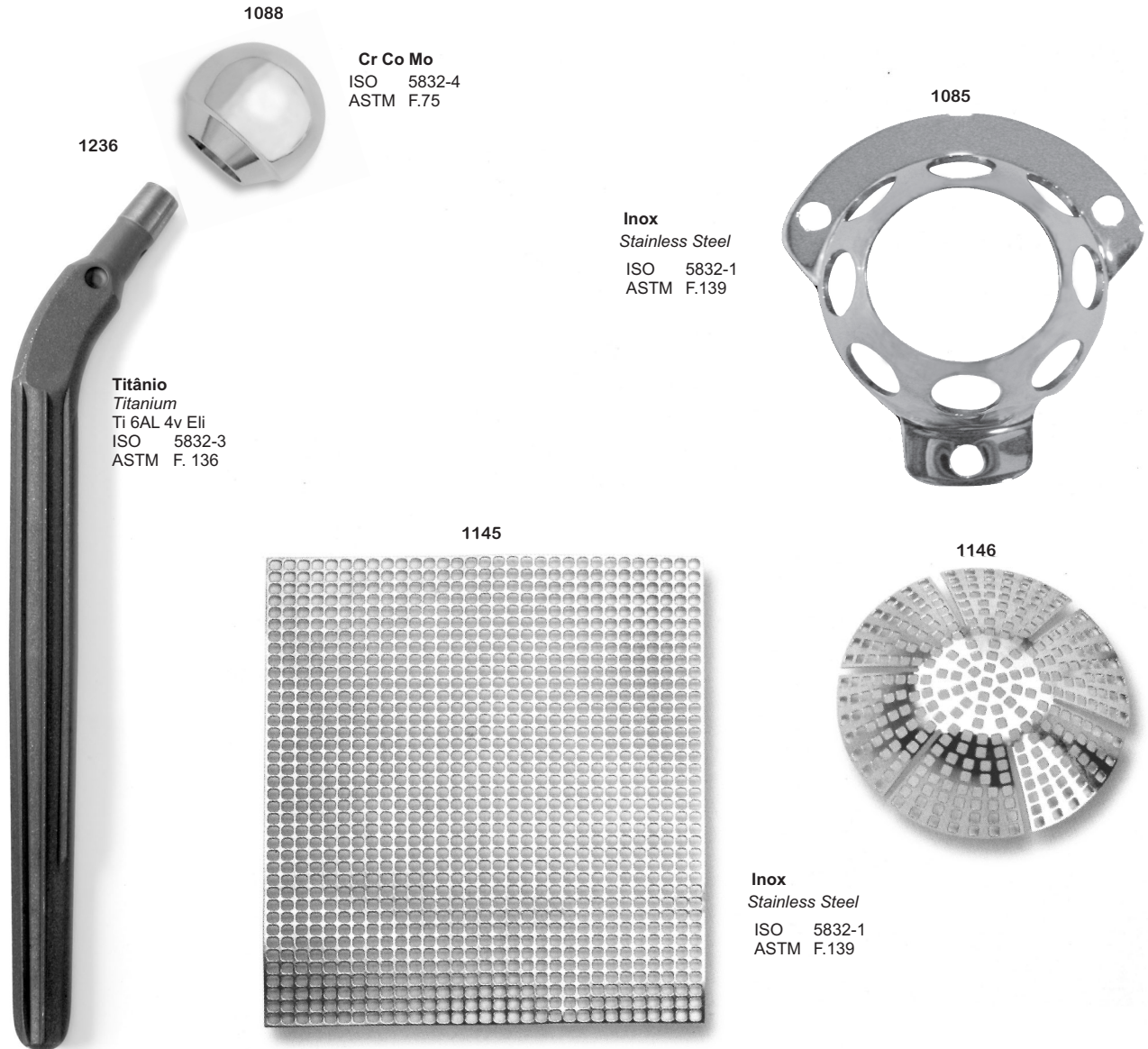
### MEDIDOR DE MÓDULO Module Gauge

REF.	Ø mm	OFFSET
7063/01	19 x 50	
/02	19 x 60	
/03	19 x 70	
/04	19 x 80	
/05	19 x 50	( 46 / 49 / 52 )
/06	19 x 60	( 46 / 49 / 52 )
/07	19 x 70	( 46 / 49 / 52 )
7065/01	21,5 x 50	
/02	21,5 x 60	
/03	21,5 x 70	
/04	21,5 x 80	
/05	21,5 x 50	( 46 / 49 / 52 )
/06	21,5 x 60	( 46 / 49 / 52 )
/07	21,5 x 70	( 46 / 49 / 52 )
/08	21,5 x 80	( 46 / 49 / 52 )

### MEDIDOR DE HASTE DE FIXAÇÃO DISTAL Distal Fixation

REF.	Ø mm
7064/01	14 x 130
/02	15 x 130
/03	16 x 130
/04	17 x 130
/05	18 x 130
/06	19 x 130
/07	20 x 130
/08	14 x 160
/09	15 x 160
/10	16 x 160
/11	17 x 160
/12	18 x 160
/13	19 x 160
/14	20 x 160
/15	21 x 160
/16	22 x 160
/17	23 x 160
/18	24 x 160
/19	14 x 210
/20	15 x 210
/21	16 x 210
/22	17 x 210
/23	18 x 210
/24	19 x 210
/25	20 x 210
/26	21 x 210
/27	22 x 210
/28	23 x 210
/29	24 x 210

# PRÓTESE DE REVISÃO PARA QUADRIL Hip Revision Prosthesis



1236

**Titânio**  
*Titanium*  
Ti 6AL 4v Eli  
ISO 5832-3  
ASTM F. 136

1088

**Cr Co Mo**  
ISO 5832-4  
ASTM F.75

**Inox**  
*Stainless Steel*  
ISO 5832-1  
ASTM F.139

1085

1145

1146

**Inox**  
*Stainless Steel*  
ISO 5832-1  
ASTM F.139

**PRÓTESE DE REVISÃO**  
*Revision Prosthesis*

REF.	Ø mm
1236/01	14 x 190
/02	15 x 190
/03	16 x 190
/04	17 x 190
/05	18 x 190
/06	19 x 190
/07	20 x 190

**PRÓTESE DE REVISÃO**  
*Revision Prosthesis*

REF.	Ø mm
1236/08	14 x 225
/09	15 x 225
/10	16 x 225
/11	17 x 225
/12	18 x 225
/13	19 x 225
/14	20 x 225

**PRÓTESE DE REVISÃO**  
*Revision Prosthesis*

REF.	Ø mm
1236/15	14 x 265
/16	15 x 265
/17	16 x 265
/18	17 x 265
/19	18 x 265
/20	19 x 265
/21	20 x 265
/22	21 x 265
/23	22 x 265
/24	23 x 265
/25	24 x 265
/26	25 x 265

**PRÓTESE DE REVISÃO**  
*Revision Prosthesis*

REF.	Ø mm
1236/27	14 x 305
/28	15 x 305
/29	16 x 305
/30	17 x 305
/31	18 x 305
/32	19 x 305
/33	20 x 305
/34	21 x 305
/35	22 x 305
/36	23 x 305
/37	24 x 305
/38	25 x 305

**REFORÇO METÁLICO**  
*Metal Back*

REF.	TAMANHO mm
1085/01	Size 44
/02	50
/03	54

**CABEÇA INTERCAMBIÁVEL**  
*Interchangeable Head*

REF.	Ø mm	COMPR. Length
1088/01	28	CURTO Short
1088/02	28	NORMAL Normal
1088/03	28	LONGO Long

1145 **TELA METÁLICA RETANGULAR**  
*Rectangular Metal Screen*

1146 **TELA METÁLICA REDONDA**  
*Circular Metal Screen*

# INSTRUMENTAL PARA PRÓTESE DE REVISÃO PARA QUADRIL

## Instruments For Hip Revision Prosthesis



### MEDIDOR FEMORAL Femoral Depth Gauge

REF.	Ø mm
7044/01	14 x 190
/02	15 x 190
/03	16 x 190
/04	17 x 190
/05	18 x 190
/06	19 x 190
/07	20 x 190
/08	14 x 225
/09	15 x 225
/10	16 x 225
/11	17 x 225
/12	18 x 225
/13	19 x 225
/14	20 x 225
/15	14 x 265
/16	15 x 265
/17	16 x 265
/18	17 x 265
/19	18 x 265
/20	19 x 265
/21	20 x 265
/22	21 x 265
/23	22 x 265
/24	23 x 265
/25	24 x 265
/26	25 x 265
/27	26 x 265
/28	26 x 265
/29	21 x 225
/30	22 x 225
/31	23 x 225
/32	24 x 225
/33	25 x 225
/34	26 x 225

### FRESA Reamer

REF.	Ø mm
7045/01	14 x 360
/02	15 x 360
/03	16 x 360
/04	17 x 360
/05	18 x 360
/06	19 x 360
/07	20 x 360
/08	21 x 360
/09	22 x 360
/10	23 x 360
/11	24 x 360
/12	25 x 360
/13	26 x 360

### MEDIDOR DE CABEÇA Trial Head

REF.	Ø mm
2858/01	28 Curto
/02	28 Médio
/03	28 Longo

### 7046 IMPACTOR / EXTRATOR Impactor / Extractor

### 2006 CHAVE "T" "T" Wrench

### 2360/02 MARTELO 500g Hammer 500g



**SISTEMA DE CABO E PLACA PARA CERCLAGEM**  
**Cerclage Cable And Plate System**

1032



1031



**Inox**  
*Stainless Steel*  
 ISO 5832-1  
 ASTM F.139

*PLACA RETA*  
*Straight Plate*

REF.	FUROS Holes
1032/01	5
/02	7
/03	9
/04	11
/05	13
/06	15

1031 CABO PARA CERCLAGE  
 Cerclage Cable

# INSTRUMENTAL DE CABO E PLACA PARA CERCLAGEM

## Instruments For Cerclage And Cable Plate



2072 BROCA 3,2mm  
Drill

2335/01 OSTEOTOMO RETO Ø 6,4 mm  
Straigh Osteotome

2335/02 OSTEOTOMO RETO Ø 13 mm  
Straigh Osteotome

4636 CORTADOR DE CABO  
Cable Cutter

4637 MODELADOR DA PRESILHA  
Sleeve Bender

4654 EXTRATOR DE CABO  
Cable Extractor

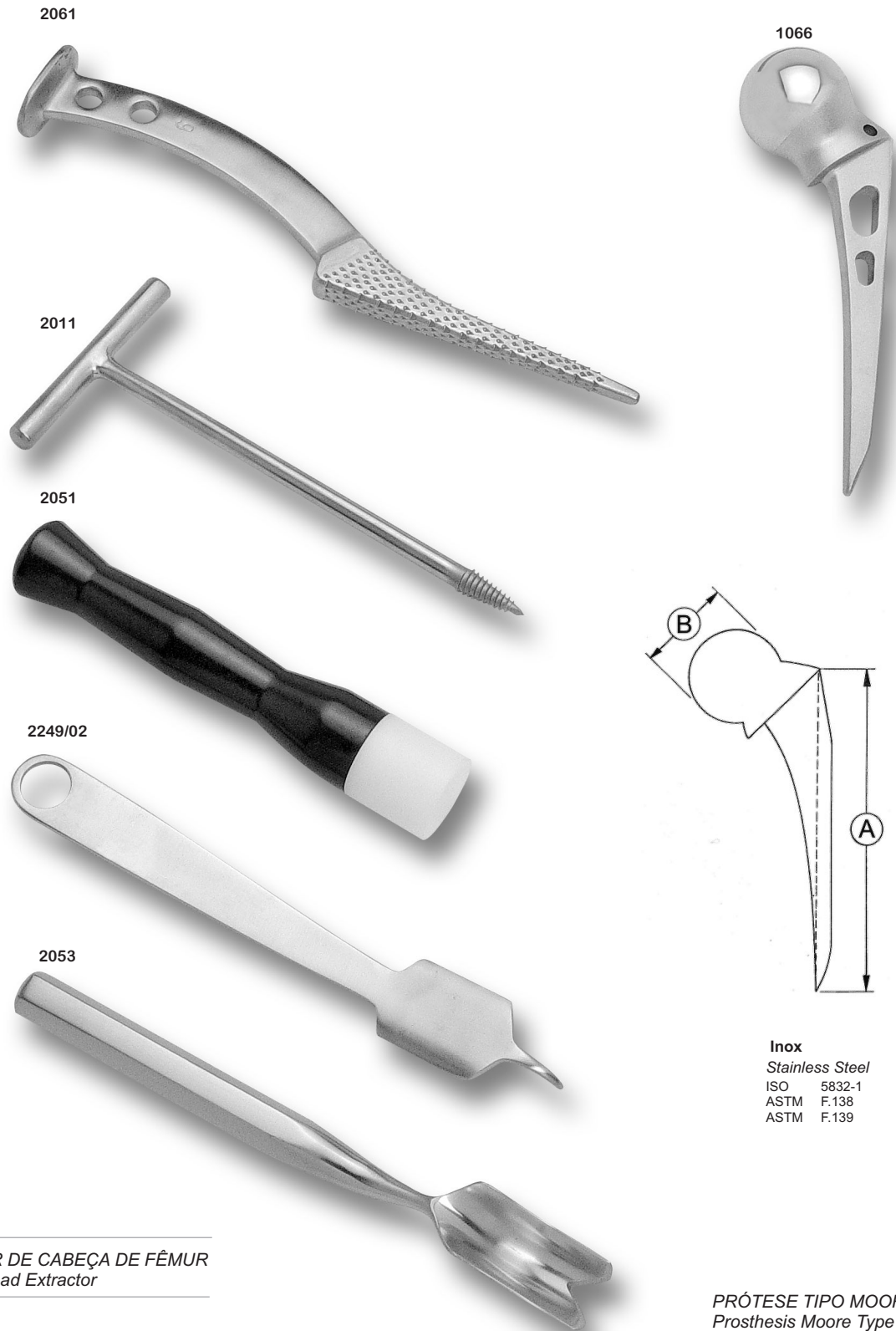
4655/01 GUIA DO CABO PEQUENO  
Cable Guide Small

4655/02 GUIA DO CABO MÉDIO  
Cable Guide Medium

4655/03 GUIA DO CABO GRANDE  
Cable Guide Large

4656 MEDIDOR  
Depht Gauge

4657 PINÇA  
Forceps



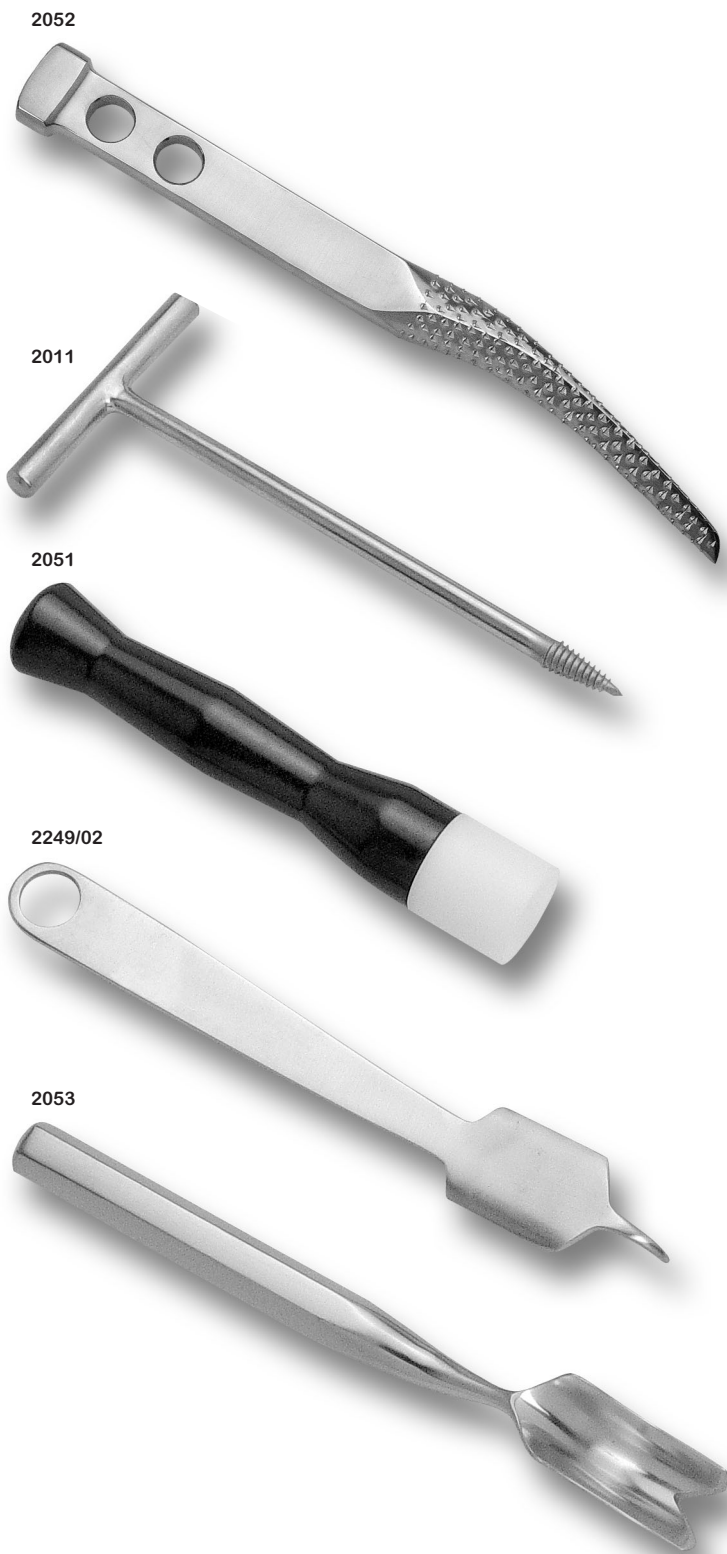
**Inox**  
Stainless Steel  
ISO 5832-1  
ASTM F.138  
ASTM F.139

2011	EXTRATOR DE CABEÇA DE FÊMUR Femoral Head Extractor
2051	IMPACTOR Impactor
2053	OSTEÓTOMO DE LIGAMENTO Ligament Knife
2061	FRESA Reamer
2249/02	AFASTADOR DE HOHMANN Hohmann Retractor

**PRÓTESE TIPO MOORE**  
Prosthesis Moore Type

REF.	A	B
1066/01	110	39
/02	110	41
/03	110	43
/04	110	45
/05	110	47
/06	110	49
/07	110	51
/08	110	53

# PRÓTESE DE QUADRIL TIPO THOMPSON Hip Prosthesis Thompson Type



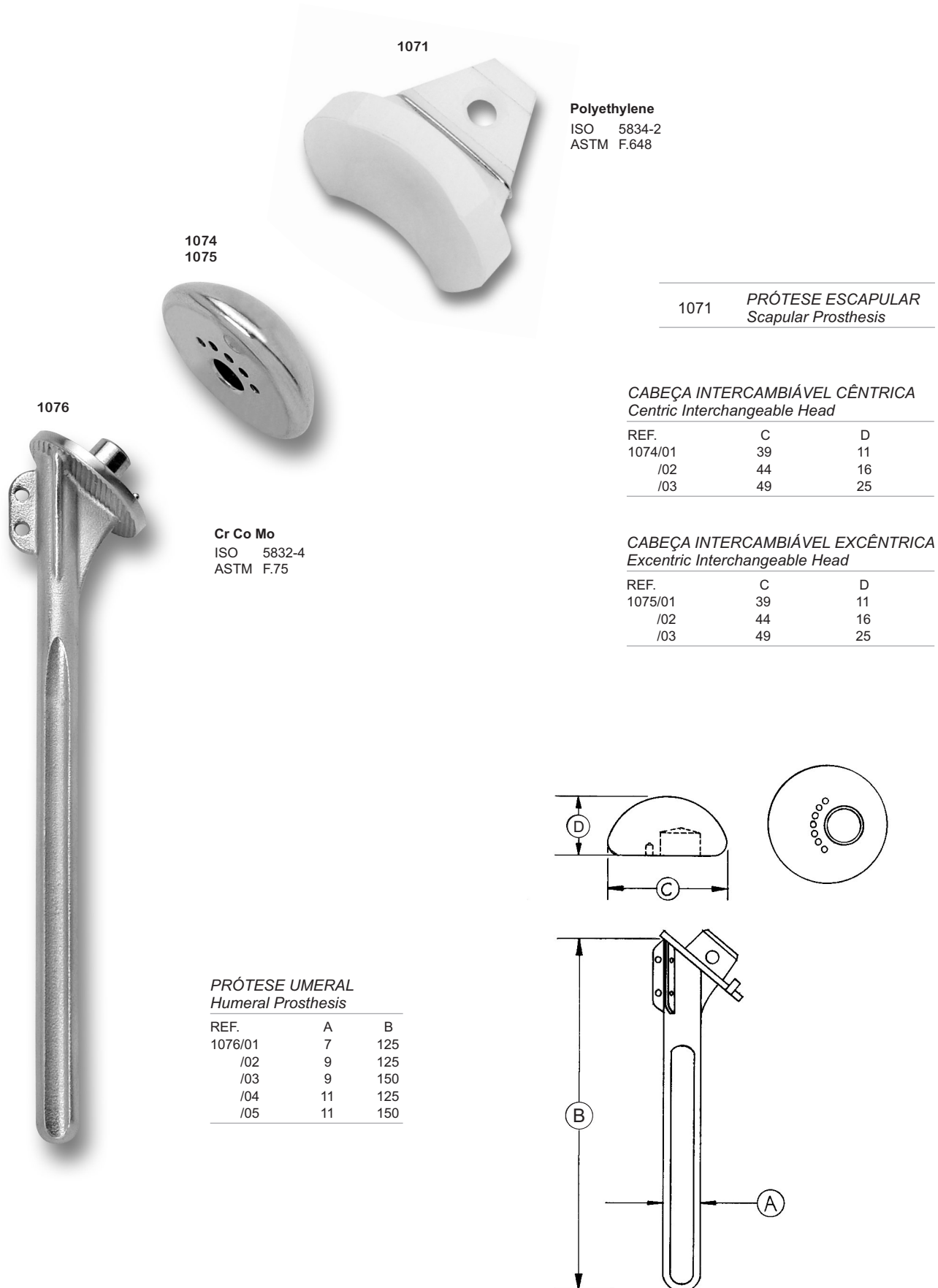
**Inox**  
Stainless Steel  
ISO 5832-1  
ASTM F.138  
ASTM F.139

## PRÓTESE TIPO THOMPSON Prosthesis Thompson Type

REF.	A	B
1060/01	110	39
/02	110	41
/03	110	43
/04	110	45
/05	110	47
/06	110	49
/07	110	51
/08	110	53

2011	EXTRATOR DE CABEÇA DE FÊMUR Femoral Head Extractor
2051	IMPACTOR Impactor
2052	FRESA Reamer
2053	OSTEÓTOMO DE LIGAMENTO Ligament Knife
2249/02	AFASTADOR DE HOHMANN Hohmann Retractor

## PRÓTESE DE OMBRO TIPO NEER Shoulder Prosthesis Neer Type



1071

Polyethylene  
ISO 5834-2  
ASTM F.648

1074  
1075

1071 *PRÓTESE ESCAPULAR  
Scapular Prosthesis*

*CABEÇA INTERCAMBIÁVEL CÊNTRICA  
Centric Interchangeable Head*

REF.	C	D
1074/01	39	11
/02	44	16
/03	49	25

*CABEÇA INTERCAMBIÁVEL EXCÊNTRICA  
Excentric Interchangeable Head*

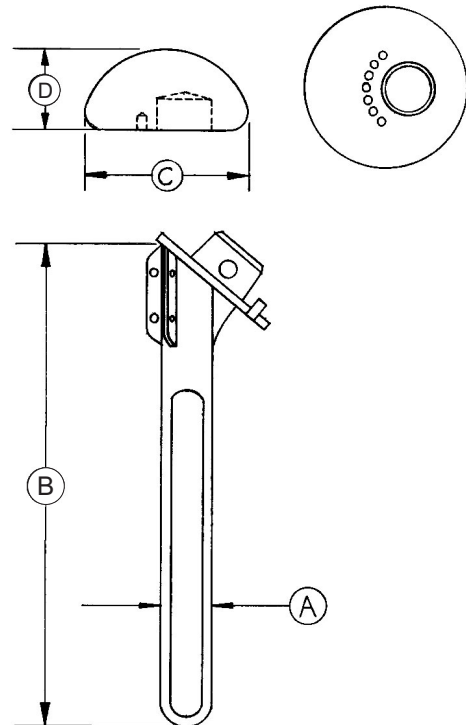
REF.	C	D
1075/01	39	11
/02	44	16
/03	49	25

1076

Cr Co Mo  
ISO 5832-4  
ASTM F.75

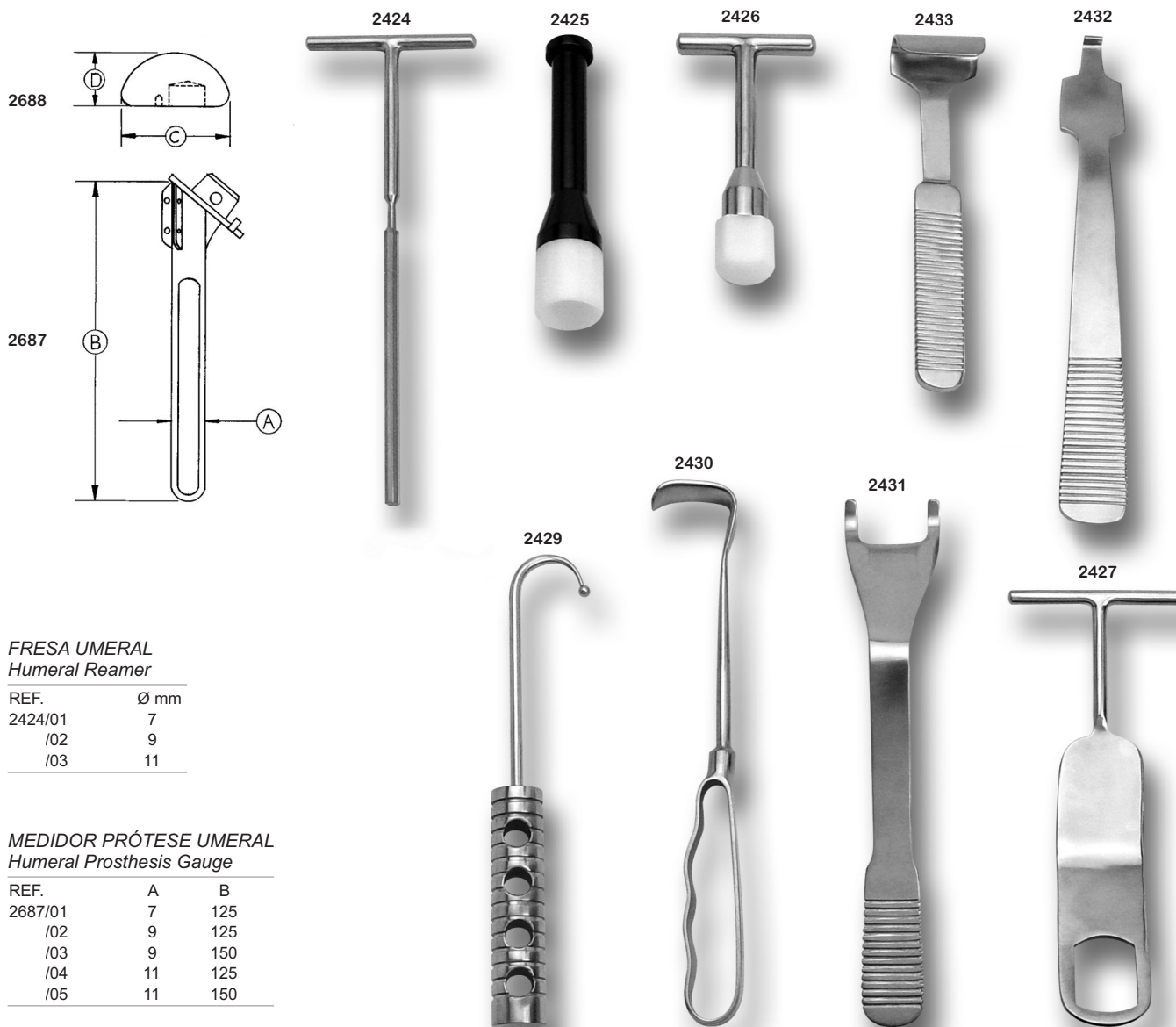
*PRÓTESE UMERAL  
Humeral Prosthesis*

REF.	A	B
1076/01	7	125
/02	9	125
/03	9	150
/04	11	125
/05	11	150



# INSTRUMENTAL PARA PRÓTESE DE OMBRO

## Shoulder Prosthesis Instruments



### FRESA UMERAL Humeral Reamer

REF.	Ø mm
2424/01	7
/02	9
/03	11

### MEDIDOR PRÓTESE UMERAL Humeral Prosthesis Gauge

REF.	A	B
2687/01	7	125
/02	9	125
/03	9	150
/04	11	125
/05	11	150

### MEDIDOR CABEÇA INTERCAMBIÁVEL CÊNTRICA Interchangeable Centric Head Gauge

REF.	C	D
2688/01	39	11
/02	44	16
/03	49	25

2425	IMPACTOR PRÓTESE UMERAL Humeral Prosthesis Impactor
2426	IMPACTOR GLENÓIDE Glenoid Impactor
2427	AFASTADOR FUKUDA Fukuda Retractor
2429	AFASTADOR GANCHO UMERAL Humeral Hook Retractor
2430/01	AFASTADOR UMERAL PEQUENO Small Humeral Retractor
2430/02	AFASTADOR UMERAL GRANDE Large Humeral Retractor

2431/01	AFASTADOR GLENÓIDE PEQUENO Small Glenoid Retractor
2431/02	AFASTADOR GLENÓIDE GRANDE Large Glenoid Retractor
2432/01	AFASTADOR ANTERIOR GLENÓIDE PEQUENO Small Anterior Glenoid Retractor
2432/02	AFASTADOR ANTERIOR GLENÓIDE GRANDE Large Anterior Glenoid Retractor
2433/01	AFASTADOR DELTÓIDE PEQUENO Small Deltoid Retractor
2433/02	AFASTADOR DELTÓIDE GRANDE Large Deltoid Retractor

## PRÓTESE DE REVISÃO PARA QUADRIL SIGMA Sigma Hip Revision Prosthesis

**INOX**  
Stainless Steel  
ISO 5832-1  
ASTM F.138

1022



1021



1020



1082



**Inox**  
Stainless Steel  
ISO 5832-1  
ASTM F.139

### PRÓTESE DE REVISÃO SIGMA Sigma Hip Revision Prosthesis

REF.	MODELO Model
1021	STANDARD Standard
1022	COM CALCAR With Step

### PRÓTESE DE REVISÃO SIGMA Sigma Hip Revision Prosthesis

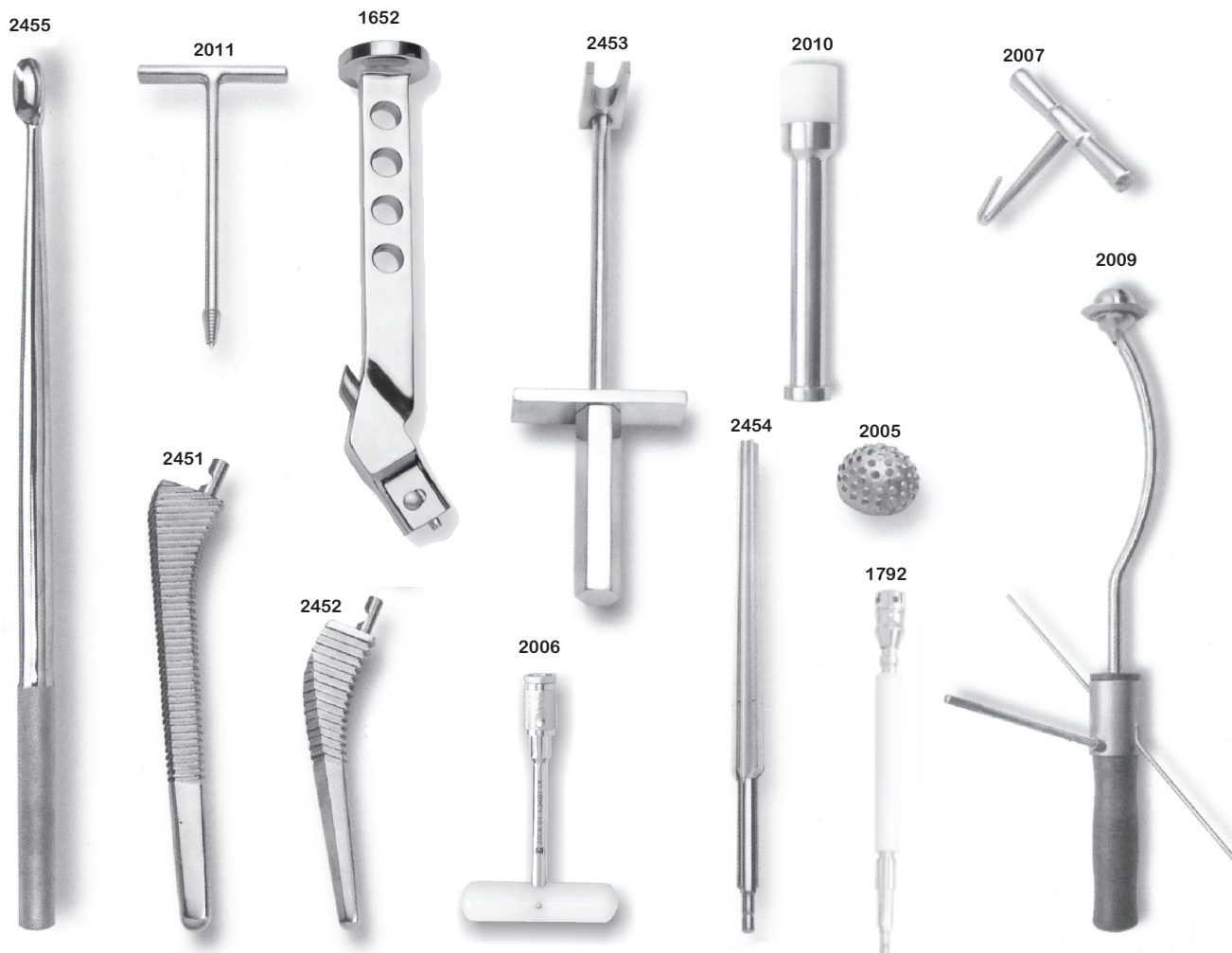
REF.	COMPRIMENTO DA HASTE mm Stem Length
1020/01	180
/02	210
/03	250
/04	280

### CABEÇA INTERCAMBIÁVEL Interchangeable Head

REF.	EXT. Ø mm Ext.	CAB Ø mm Head
1082/01	28	CURTO Short
/02	28	NORMAL Normal
/03	28	LONGO Long

# INSTRUMENTAL PARA PRÓTESE DE QUADRIL SIGMA

## Sigma Hip Prosthesis Instruments



### FRESA ACETABULAR Acetabular Reamer

REF.	Ø mm
2005/14	40
/15	42
/16	44
/17	46
/18	48
/19	50
/20	52
/21	54
/22	56
/23	58
/24	60
/25	62

1652 GUIA DE FRESA  
Reamer Guide

2006 CHAVE "T" PARA FRESA  
"T" Wrench For Reamer

2007 CHAVE "PAR"  
Wrench "Pair"

2009 GUIA DE ACETÁBULO  
Cup Positioner

2010 IMPACTOR  
Impactor

2011 EXTRATOR DE CABEÇA DE FÊMUR  
Femoral Head Extractor

2451 GUIA DE REVISÃO  
Revision Guide

2452 FRESA STANDARD  
Standard Reamer

2453 EXTRATOR DE HASTE  
Stem Extractor

2454 FRESA ROTATIVA  
Rotational Reamer

2455 CURETA 13 x 24mm  
Curette

1792 GUIA DA FRESA  
Reamer Guide



1040  
1084



**Inox**  
Stainless Steel  
ISO 5832-1  
ASTM F.139

1052



**Polyethylene**  
ISO 5834-2  
ASTM F.648

### PRÓTESE ACETABULAR TIPO CHARNLEY

Acetabular Prosthesis Charnley Type

REF.	MODELO Model	TAMANHO mm Size
1052/01	COM FLANGE With Flange	40
1052/02	COM FLANGE With Flange	43

### PRÓTESE ACETABULAR TIPO MULLER

Acetabular Prosthesis Muller Type

REF.	TAMANHO mm Size
1040/42	42 x 32
/44	44 x 32
/46	46 x 32
/48	48 x 32
/50	50 x 32
/52	52 x 32
/54	54 x 32
/56	56 x 32
/58	58 x 32

\*OBS. Usar parafuso  
Cortical Ø 4,5 mm  
esponjoso Ø 6,5 mm  
Broca de Ø 3,2 mm.

\*OBS.  
Use screw  
Cortical Ø 4,5 mm  
cancellous Ø 6,5 mm  
Drill Ø 3,2 mm.

### PRÓTESE ACETABULAR TIPO MULLER

Acetabular Prosthesis Muller Type

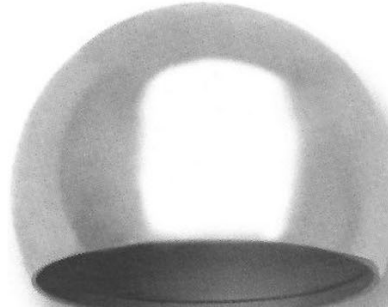
REF.	TAMANHO mm Size
1084/42	42 x 28
/44	44 x 28
/46	46 x 28
/48	48 x 28
/50	50 x 28
/52	52 x 28
/54	54 x 28
/56	56 x 28
/58	58 x 28

# PRÓTESE ACETABULAR

## Acetabular Prosthesis



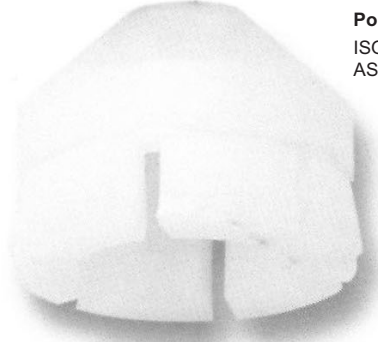
1013



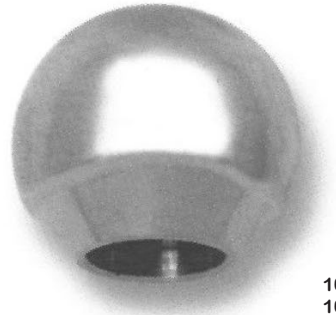
**Inox**  
Stainless Steel  
ISO 5832-1  
ASTM F.138



1014



**Polyethylene**  
ISO 5834-2  
ASTM F.648



**1081**  
**1082**  
**1083**

### PRÓTESE BIPOLAR

#### Bipolar Prosthesis

REF.	EXT. Ø mm	CAB Ø mm
	Ext.	Head
1013/39	39	22
1013/41	41	22
1013/43	43	22
1013/45	45	28
1013/47	47	28
1013/49	49	28
1013/51	51	28
1013/53	53	28

### PRÓTESE ACETABULAR BIPOLAR

#### Bipolar Acetabular Prosthesis

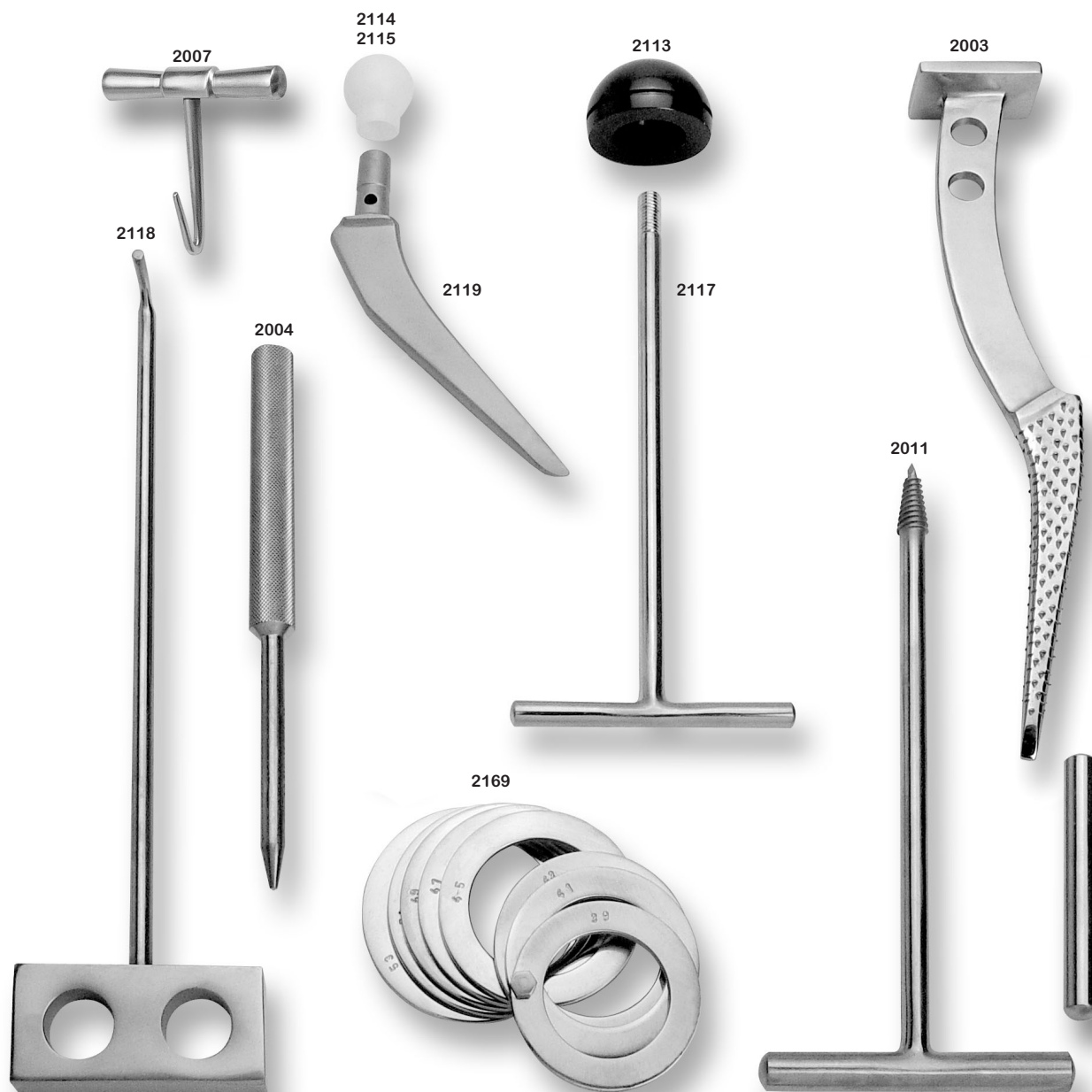
REF.	EXT. Ø mm	CAB Ø mm
	Ext.	Head
1014/39	39	22
/41	41	22
/43	43	22
/45	45	28
/47	47	28
/49	49	28
/51	51	28
/53	53	28

**Inox**  
Stainless Steel  
ISO 5832-1  
ASTM F.138

### CABEÇA INTERCAMBIÁVEL

#### Interchangeable Head

REF.	EXT. Ø mm	CAB Ø mm
	Ext.	Head
1081/01	32	CURTO 30 Short 30
/02	32	NORMAL 34 Normal 34
/03	32	LONGO 40 Long 40
1082/01	28	CURTO Short
/02	28	NORMAL Normal
/03	28	LONGO Long
1083/01	22	MÉDIO Medium
/02	22	LONGO Long



### MEDIDOR FEMORAL Femoral Gauge

REF.	Ø mm
2119/01	7,5
/02	10,0
/03	12,5
/04	15,0
/05	17,5
/06	20,0

### FRESA Reamer

REF.	Ø mm
2003/01	7,5
/02	10,0
/03	12,5
/04	15,0
/05	17,5
/06	20,0

### MEDIDOR DE CÁPULAS Cup Size Gauges

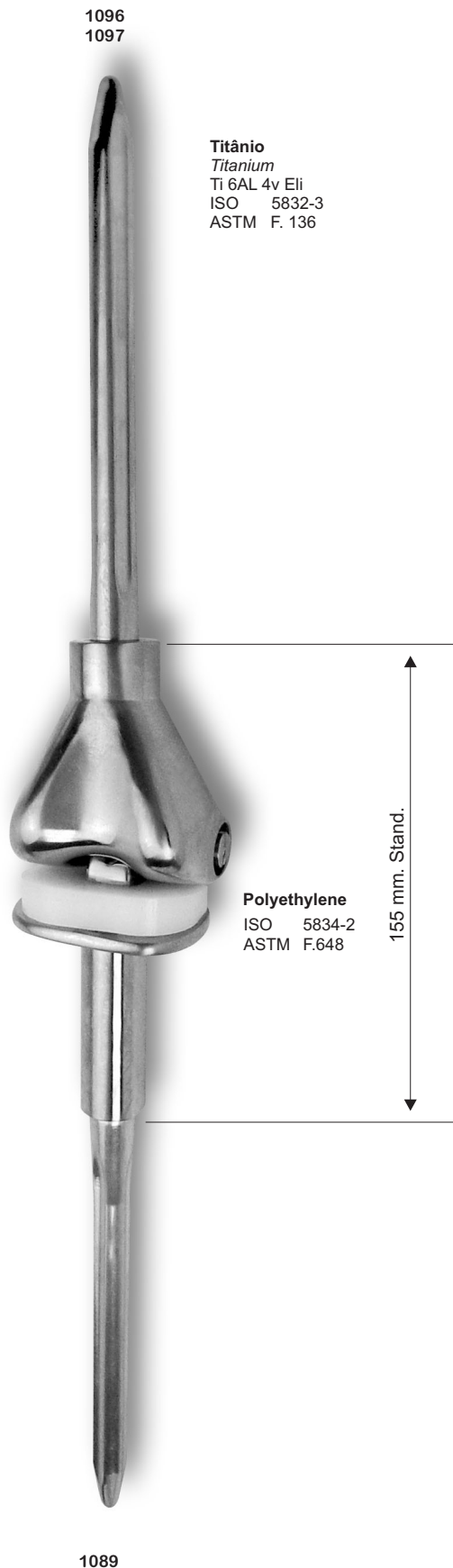
REF.	Ø mm
2113/01	39
/02	41
/03	43
/04	45
/05	47
/06	49
/07	51
/08	53

### MEDIDOR DE PROVA Trial Gauge

REF.	Ø mm	COMPR. COLO Neck Length
2114/01	22	MÉDIO Medium
/02	22	LONGO Long
2115/01	28	CURTO Short
/02	28	MÉDIO Medium
/03	28	LONGO Long

2004	IMPACTOR FINAL Final Impactor
2007	CHAVE (PAR) Wrench (Pair)
2011	EXTRATOR DE CABEÇA FEMORAL Femoral Head Extractor
2117	CHAVE "T" "T" Wrench
2118	EXTRATOR DE HASTE Rod Extractor
2169	MEDIDOR DE CABEÇA DE FÊMUR Femur Head Gauge

**PRÓTESE TOTAL MODULAR NÃO CONVENCIONAL COM ROTAÇÃO**  
**Modular Non Conventional Total Knee Prosthesis With Rotation**



1096  
1097

**Titânio**  
*Titanium*  
 Ti 6AL 4v Eli  
 ISO 5832-3  
 ASTM F. 136

**Polyethylene**  
 ISO 5834-2  
 ASTM F.648

155 mm. Stand.

1089

Sistema modular de montagem através de CONE MORSE que dispensa o envio de radiografia.

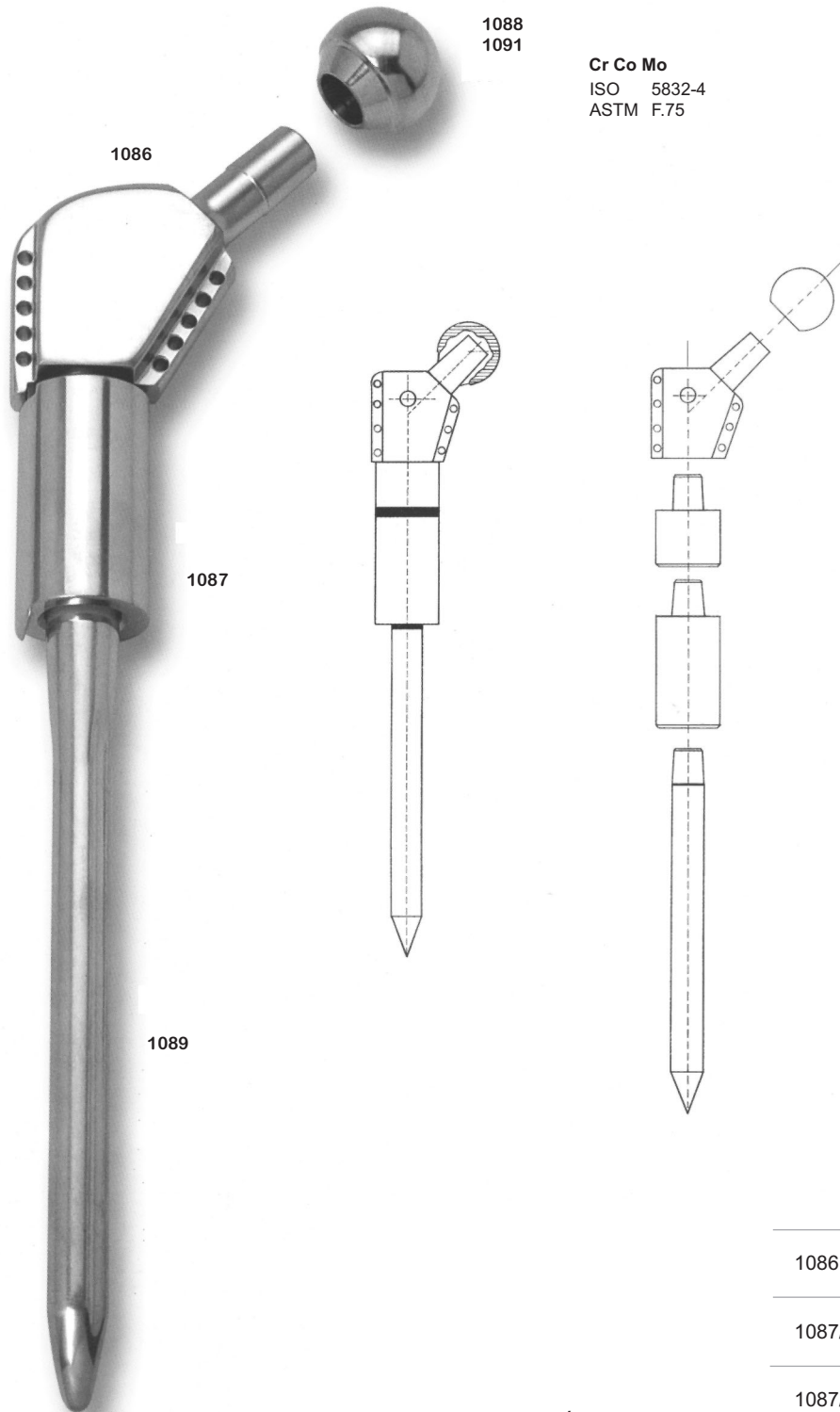
*Modular assembly system through Morse Cone, avoiding comparison with the X-Ray*

- |      |  |
|------|--|
| 1096 | JOELHO ARTICULADO ESQUERDO<br><i>Left Articulated Knee</i> |
| 1097 | JOELHO ARTICULADO DIREITO<br><i>Right Articulated Knee</i> |

HASTE <i>Stem</i>		
REF.	Ø mm	COMPR. mm <i>Length</i>
1089/01	11	150
/02	12	155
/03	13	160
/04	14	165

# PRÓTESE MODULAR DE QUADRIL NÃO CONVENCIONAL

## Non Conventional Modular Hip Prosthesis



1088  
1091

Cr Co Mo  
ISO 5832-4  
ASTM F.75

1086

1087

1089

### INDICAÇÕES

*Indication*

- 01) Ressecção em bloco de tumor ósseo primário metastático.
- 02) Para fraturas de 1/3 proximal o Fêmur.
- 03) Para revisão de prótese total prévia. Prótese modular com encaixe em cone Morse, podendo adicionar comprimento, o quanto precisar ressecar o osso, sem necessidade de medidas prévias, sendo válido tanto para traumas e metastáticos como em fraturas ou revisão de próteses anteriores.

Existem ainda outras vantagens, as quais onde há necessidade de cimentar o conjunto, com exagero de retro ou antiretro, desconecta-se a prótese na região do cone e pode se ajustá-la sem problemas ou perda de tempo, na posição que se desejar.

O cirurgião terá ao seu dispor uma enorme variedade de opções, no que diz respeito a cirurgia de quadril, e em tumores primário e metastático do osso nessa região.

- 01) Resection in "block" of the bone tumor (primary methastatic).
- 02) For fracture 1/3 proximal of femur.
- 03) For revision of previus total arthroplasty.

Modular prosthesis with morse cone insertion, with the possibility of adding the length after resection of bone. Indication in cases of trauma and methastatics as in fracture or revision of previous prosthesis.

There is another advantage, when there is the necessity of cementing the whole, with exaggeration of foward and backward, this disconnecting the prosthesis from the cone region, adjusting it with no loss of time in the desired position.

The surgeon will have vast possibility of options regarding hip surgery, primary tumours and in methastatic of bone in this region.

**Titânio**  
Titanium  
Ti 6AL 4v Eli  
ISO 5832-3  
ASTM F.136

### CABEÇA INTERCAMBIÁVEL

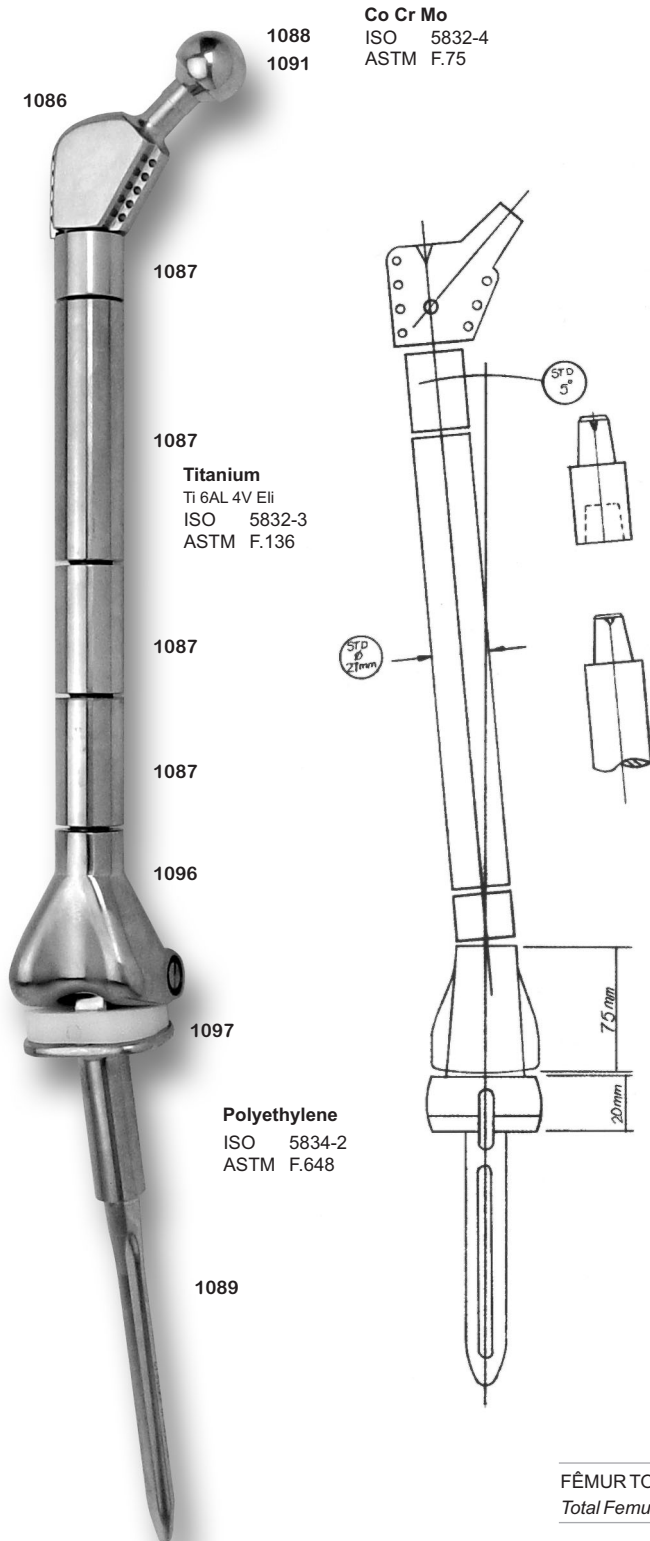
*Interchangeable Head*

REF.	Ø mm	COMPR. COLO
		<i>Neck Length</i>
1088/01	28	CURTO
/02	28	Short
/03	28	MÉDIO
		Medium
1091/01	22	LONGO
		Long
/02	22	MÉDIO
		Medium
		LONGO
		Long

1086	SUPORE DE CABEÇA	
	<i>Head Support</i>	
1087/01	MÓDULO	25 mm
	<i>Module</i>	
1087/02	MÓDULO	50 mm
	<i>Module</i>	
1089/01	HASTE	Ø 11,0 x 150
	<i>Stem</i>	
1089/02	HASTE	Ø 12,0 x 155
	<i>Stem</i>	
1089/03	HASTE	Ø 13,0 x 160
	<i>Stem</i>	
1089/04	HASTE	Ø 14,0 x 165
	<i>Stem</i>	

# PRÓTESE MODULAR NÃO CONVENCIONAL

## Non Conventional Modular Prosthesis



1086	SUPORE DE CABEÇA <i>Head Support</i>
1096	JOELHO ARTICULADO ESQUERDO <i>Left Articulated Knee</i>
1097	JOELHO ARTICULADO DIREITO <i>Right Articulated Knee</i>

### CABEÇA INTERCAMBIÁVEL

*Interchangeable Head*

REF.	Ø mm	COMPR. COLO Neck Length
1088/01	28	CURTO Short
1088/02	28	NORMAL Normal
1088/03	28	LONGO Long
1091/01	22	NORMAL Normal
1091/02	22	LONGO Long

### MÓDULO

*Module*

REF.	COMPR. mm Length
1087/01	25
1087/02	50
1087/03	72
1087/04	96
1087/05	200
1087/06	206
1087/07	212
1087/08	218
1087/09	224
1087/10	230
1087/11	236

### FÊMUR TOTAL + JOELHO ARTICULADO

*Total Femur + Articulated Knee*

Sistema modular de montagem através de CONE MORSE que dispensa o envio de radiografia.

*Modular assembling system through MORSE CONE avoiding comparison with the X-Ray*

### HASTE

*Stem*

REF.	Ø mm	COMPR. mm Length
1089/02	12	155
/03	14	165



**FRESA EM "T"**  
**"T" Reamer**

REF.Ø mm	
2166/01	12
/02	14
/03	16

2004	<b>IMPACTOR FINAL</b> Final Impactor
2075	<b>CHAVE HEXAGONAL</b> Hex Head Screw Driver
2360/01	<b>MARTELO DE AÇO INOXIDÁVEL 350 gr</b> Stainless Steel Mallets 350 gr
2152	<b>EXTRATOR DE ANEL</b> Ring Extractor
2153	<b>EXTRATOR CUNHA</b> Wedge Extractor
2159	<b>GUIA DE MONTAGEM</b> Assembly Guide